

RUST | ORLING
ARCHITECTURE

1215 CAMERON STREET
ALEXANDRIA, VA
22314

T - 703.836.3205
F - 703.548.4779
admin@rustorling.com
www.rustorling.com



Field & Tung
Structural Engineers
1210 18th Street NW
Third Floor
Washington, DC 20036
202.760.2270

CADENCE AT PARK
VIENNA, VIRGINIA

20.014

REVISIONS

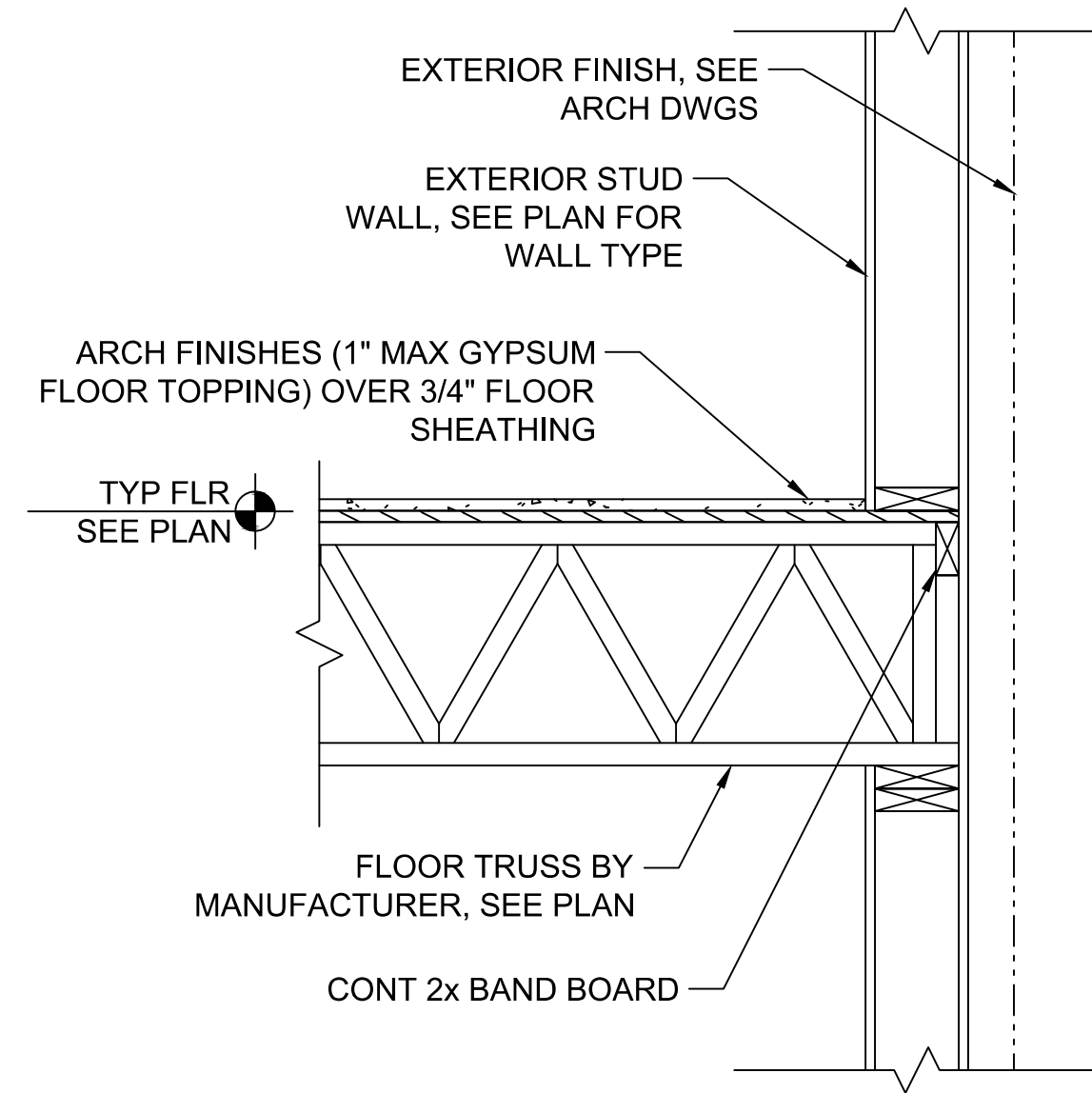
DATE	DESCRIPTION

FOR PERMIT
12.09.20

SECTIONS AND
DETAILS

SHEET NO.

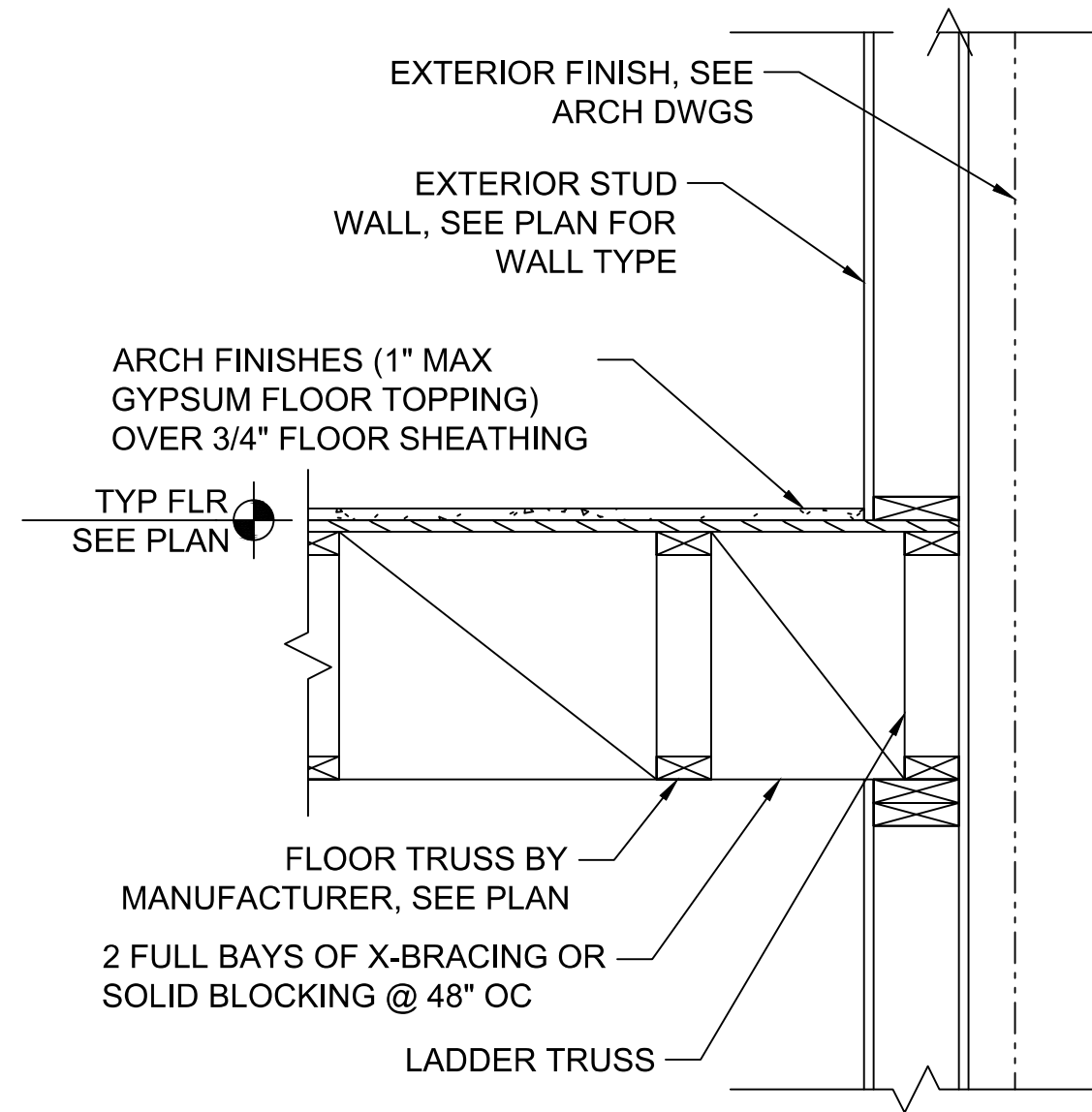
S263



TRUSS PERPENDICULAR TO EXTERIOR WALL

SCALE: 1"=1'-0"

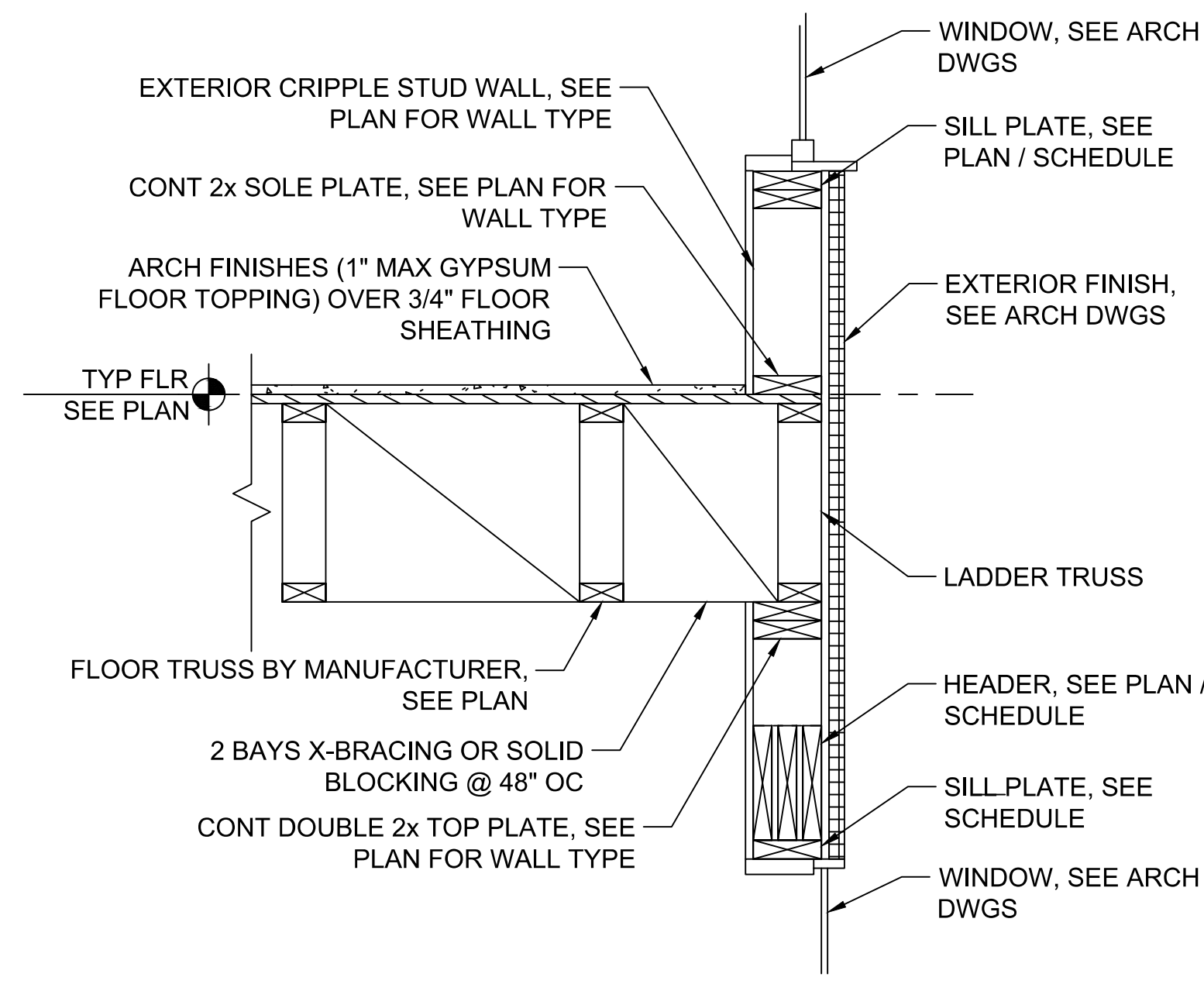
1
S263



TRUSS PARALLEL TO EXTERIOR WALL

SCALE: 1"=1'-0"

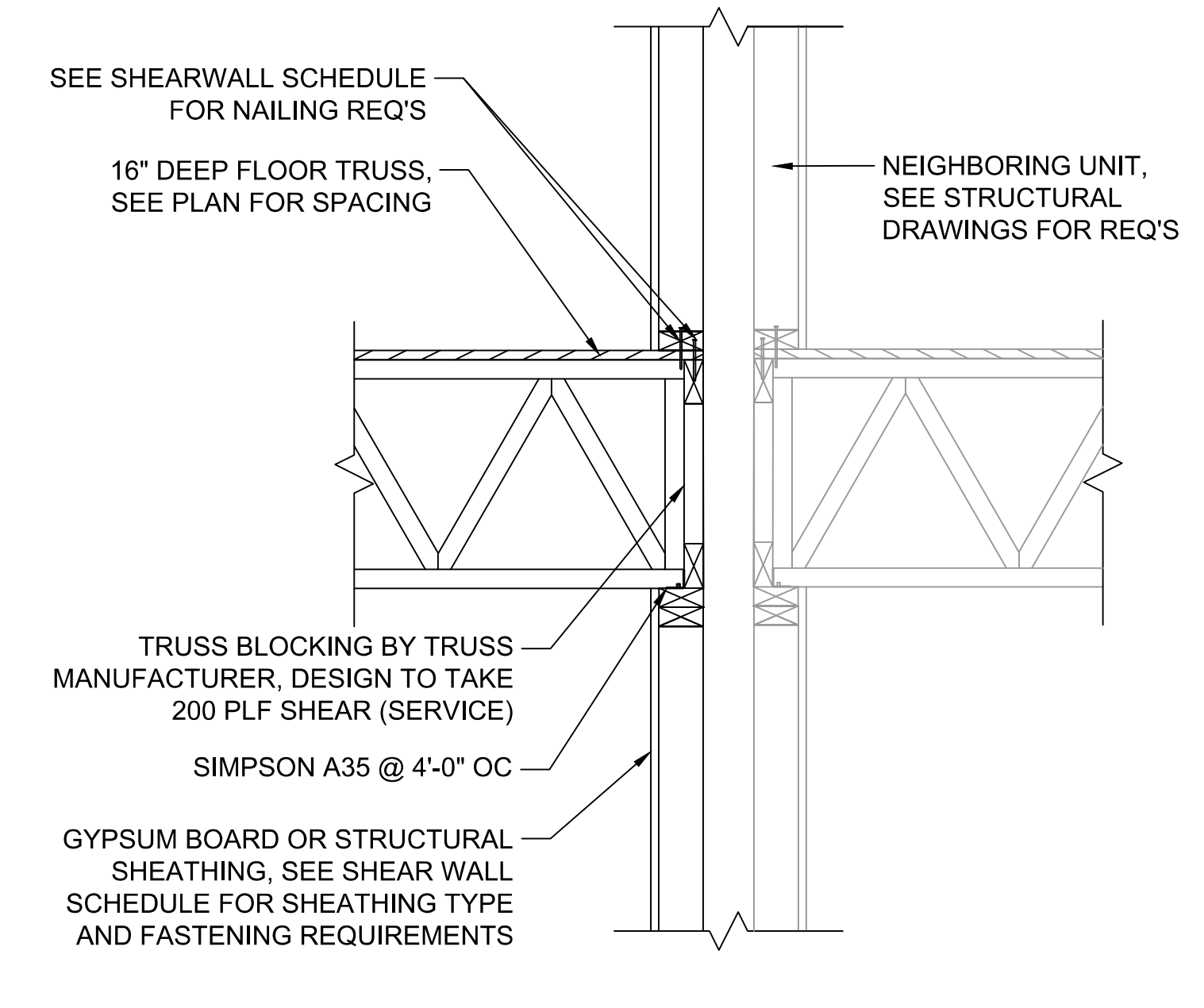
2
S263



TRUSS PARALLEL TO EXTERIOR WALL AT WINDOW

SCALE: 1"=1'-0"

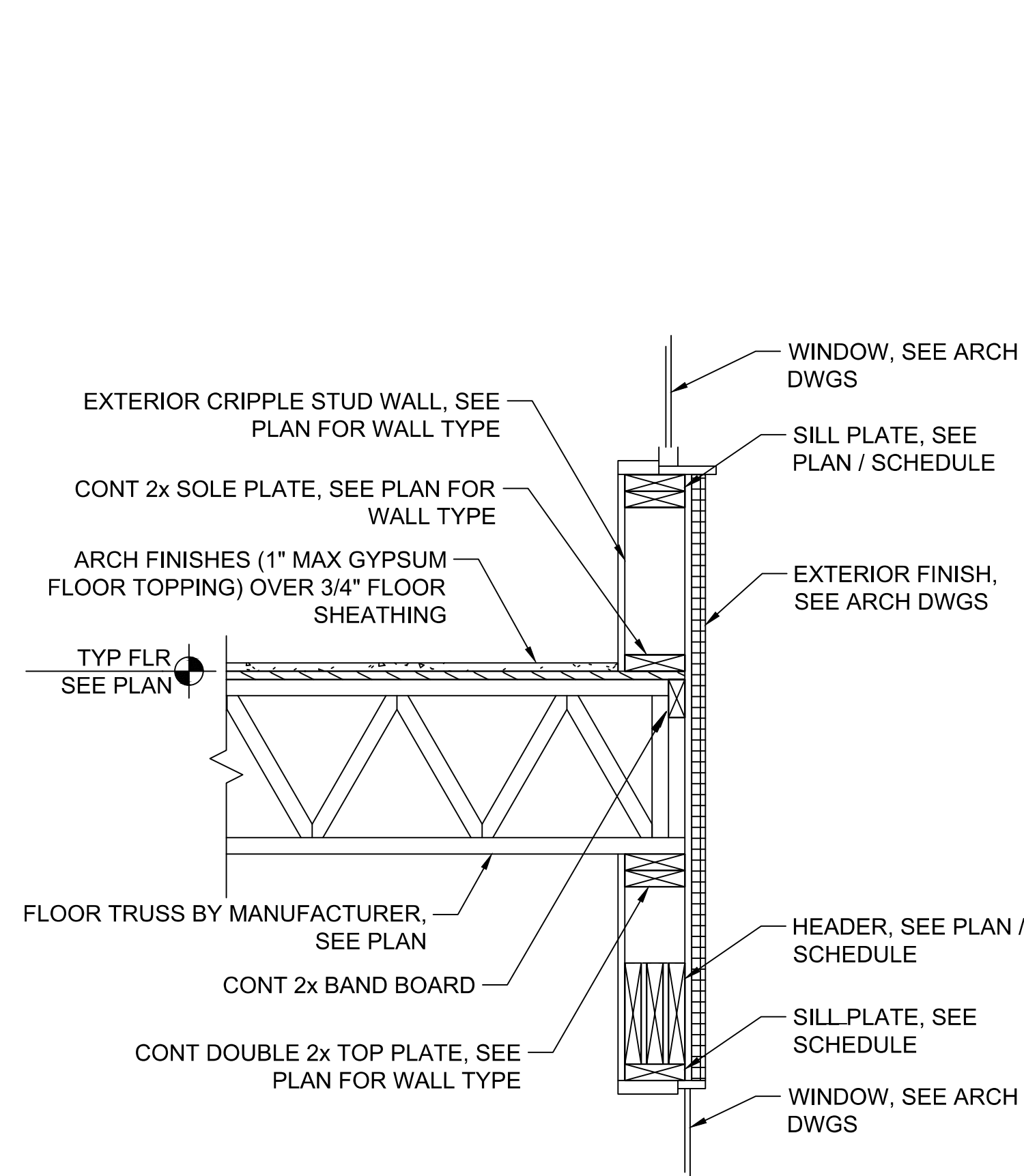
3
S263



SECTION

SCALE: 1"=1'-0"

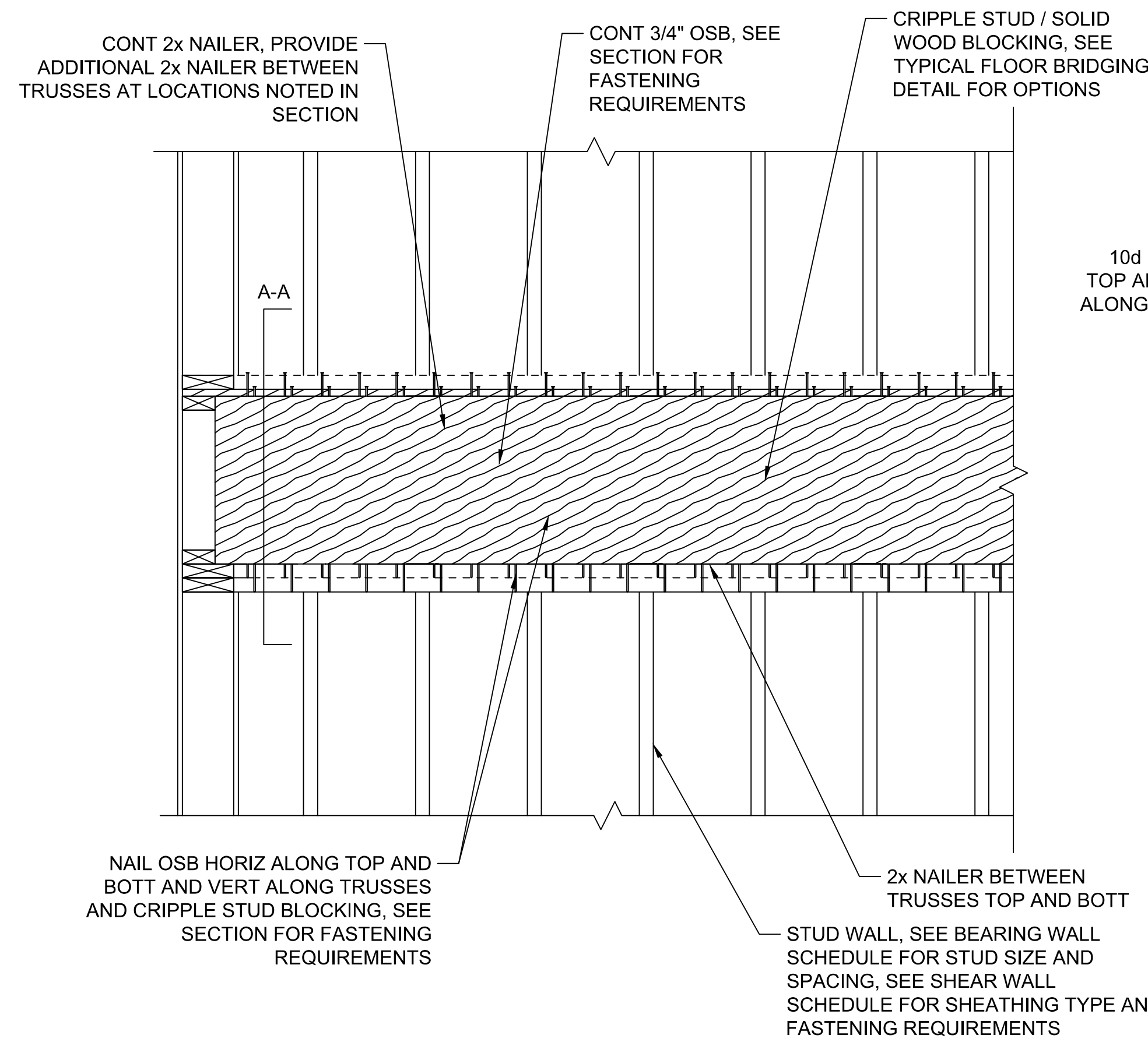
4
S263



TRUSS PERPENDICULAR TO EXTERIOR WALL AT WINDOW

SCALE: 1"=1'-0"

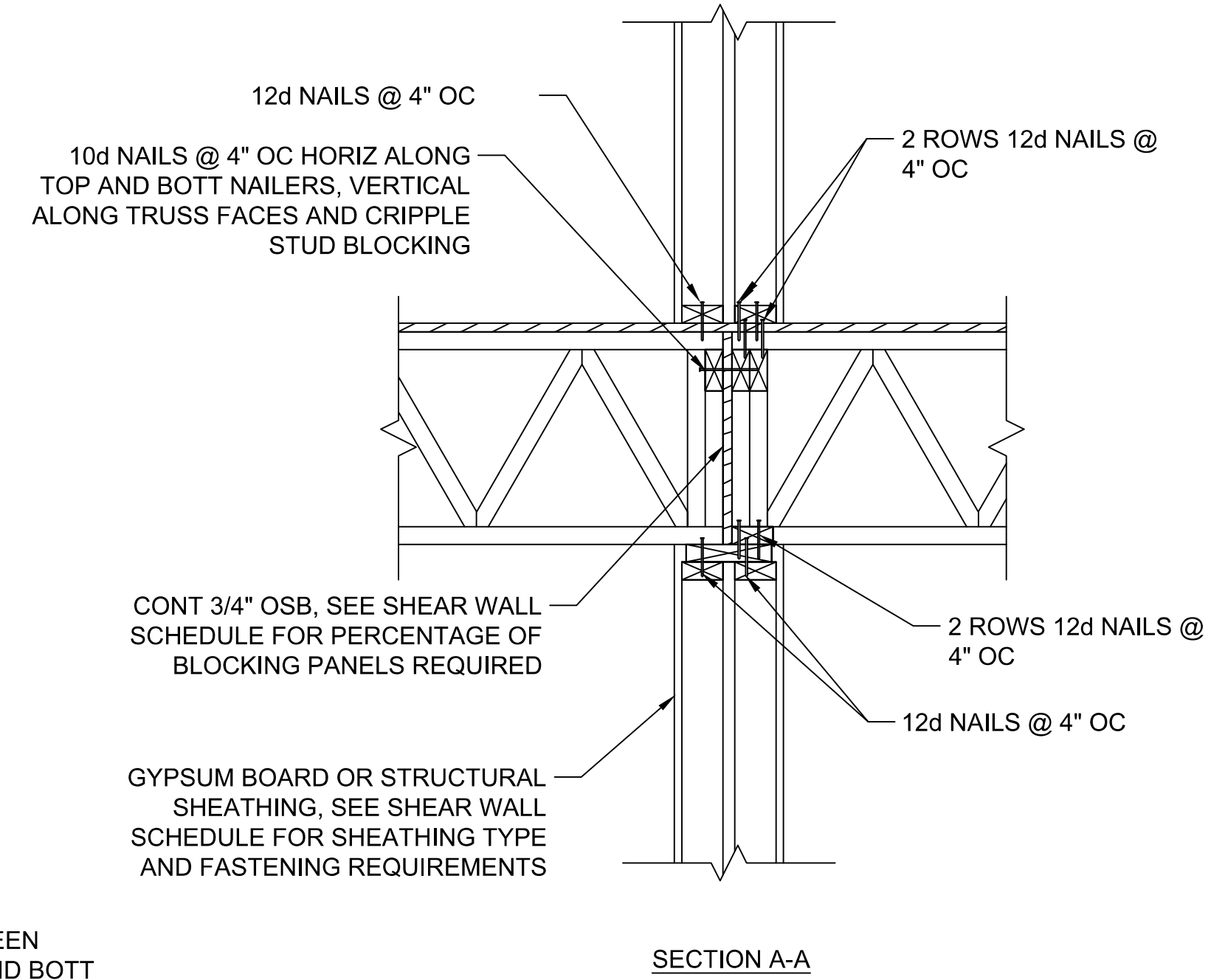
5
S263



WOOD SHEAR WALL - BRIDGING (DOUBLE DEMISING WALL)

SCALE: NOT TO SCALE

6
S263



SECTION A-A