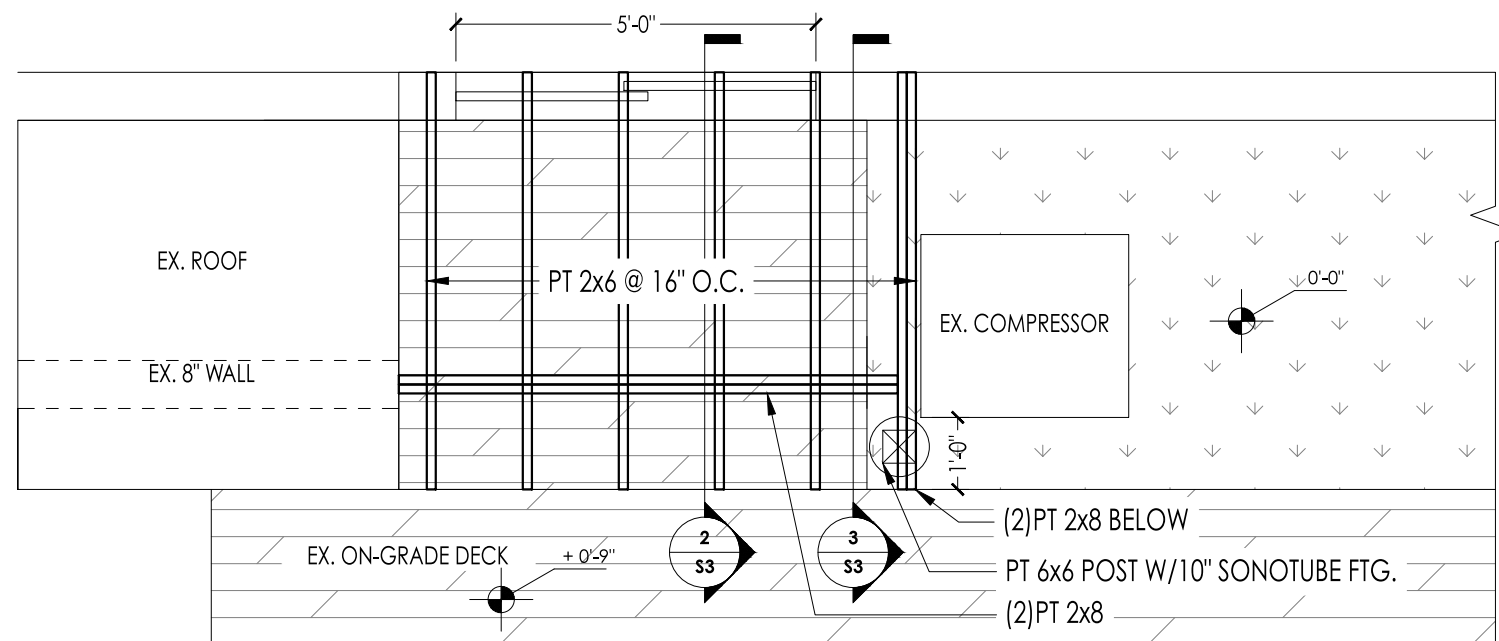


1 EXISTING PARTIAL REAR PLAN
3/8" = 1'-0"



2 PROPOSED PARTIAL REAR PLAN
3/8" = 1'-0"

PRIVATE RESIDENCE
804 TAPAWINGO ROAD SW
VIENNA, VIRGINIA

REVISIONS

PROJECT No. _____
DATE: March 10, 2021
SCALE: AS SHOWN

EXISTING & PROPOSED
PLANS + DETAILS