



RUST | ORLING
ARCHITECTURE

1215 CAMERON STREET
ALEXANDRIA, VA
22314

T - 703.836.3205
F - 703.548.4779
admin@rustorling.com
www.rustorling.com



Field & Tung
Structural Engineers
1210 18th Street NW
Third Floor
Washington, DC 20036
202.760.2270

CADENCE AT PARK
VIENNA, VIRGINIA

20.014

REVISIONS

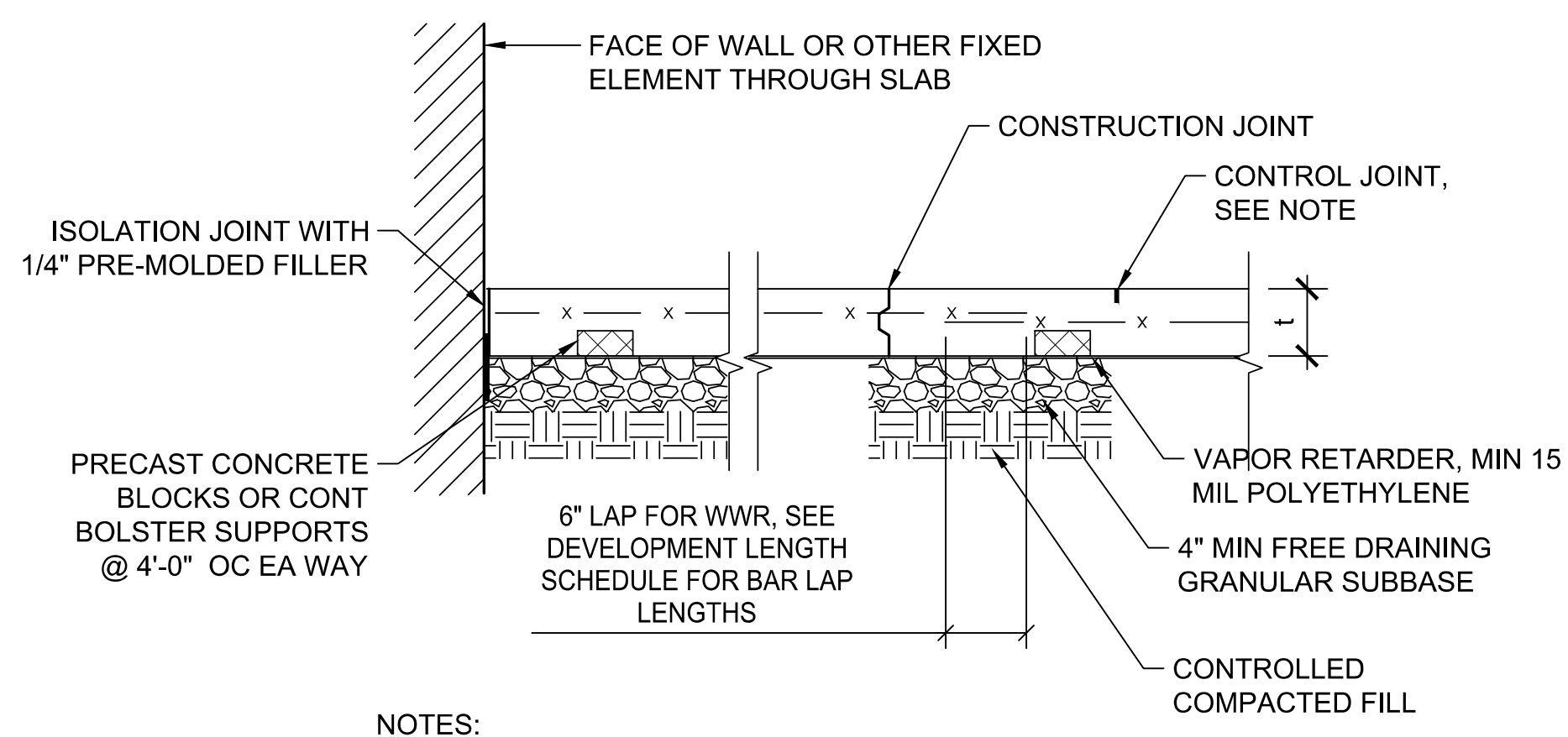
DATE	DESCRIPTION

FOR PERMIT
12.09.20

SECTIONS AND
DETAILS

SHEET NO.

S230



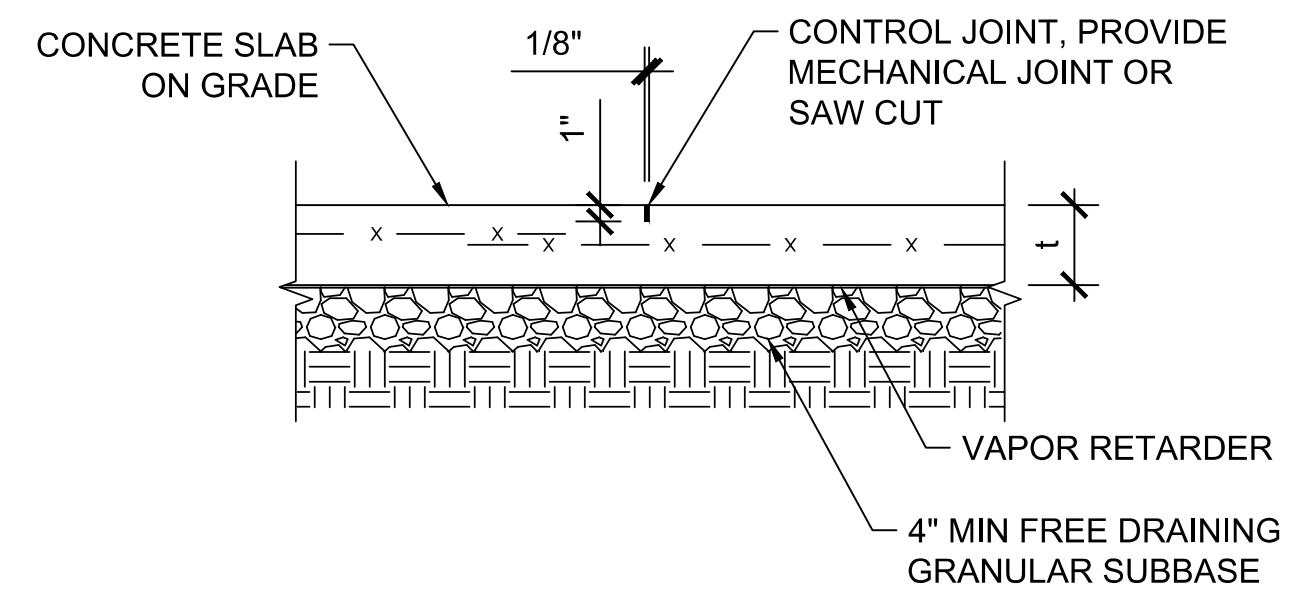
NOTES:

- CONTROL JOINT SPACING MAX OF 36 x "t". SEE ARCHITECTURAL DRAWINGS FOR LAYOUT.
- t = SLAB THICKNESS - SEE PLAN

TYPICAL SLAB ON GRADE DETAIL

SCALE: 1" = 1'-0"

1
S230



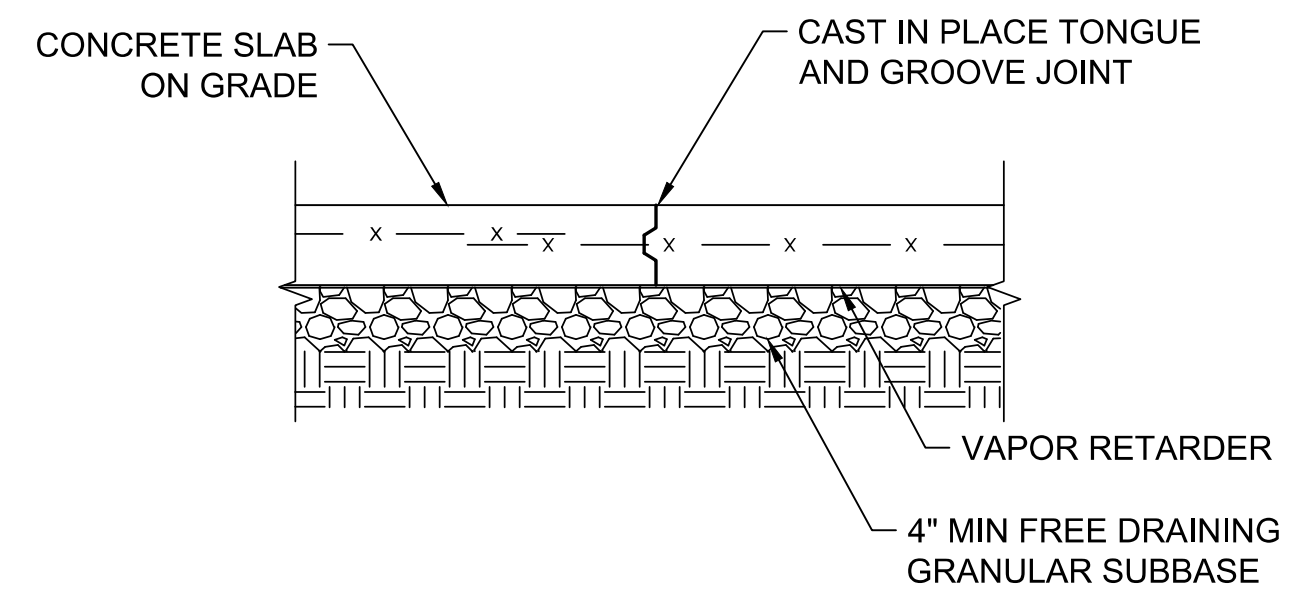
NOTES:

- CONTROL JOINT SPACING MAX OF 36 x "t". SEE ARCHITECTURAL DRAWINGS FOR LAYOUT.
- t = SLAB THICKNESS - SEE PLAN
- CUT JOINTS WITHIN 4 HRS OF FINISHING

TYPICAL SLAB ON GRADE JOINT DETAIL

SCALE: 1" = 1'-0"

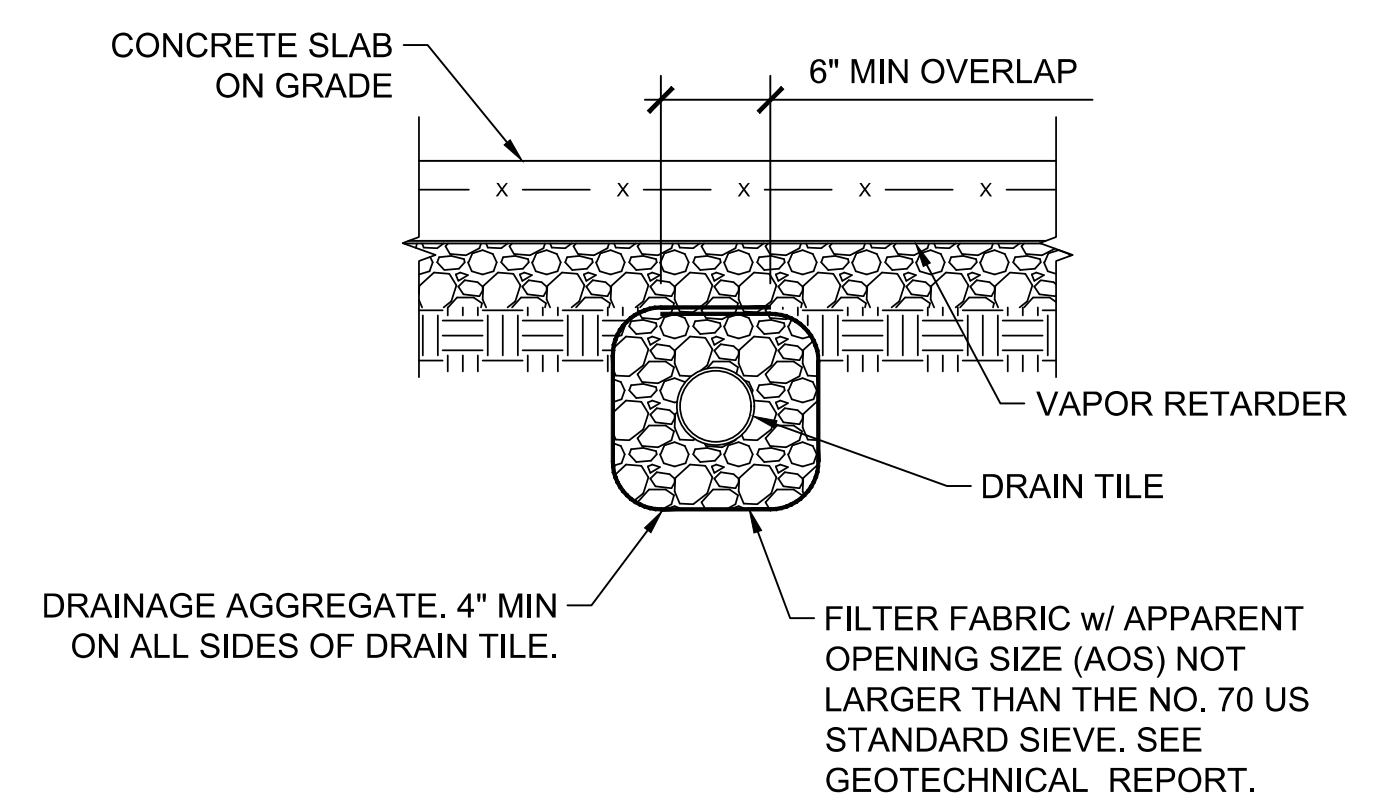
2
S230



TYPICAL SLAB ON GRADE CONSTRUCTION JOINT

SCALE: 1" = 1'-0"

3
S230



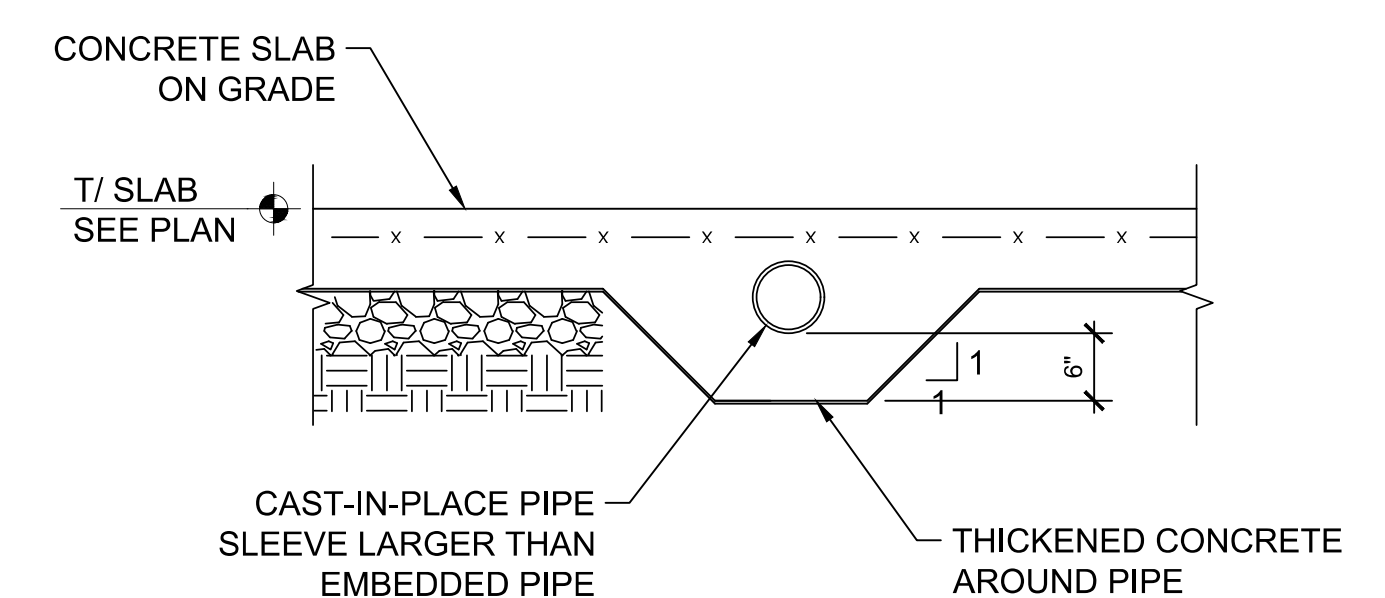
NOTES:

- SEE GEOTECHNICAL REPORT FOR ADDITIONAL INFORMATION ON FILTER FABRIC, GRAVEL, ETC.

TYPICAL UNDERSLAB DRAINAGE

SCALE: 1" = 1'-0"

4
S230



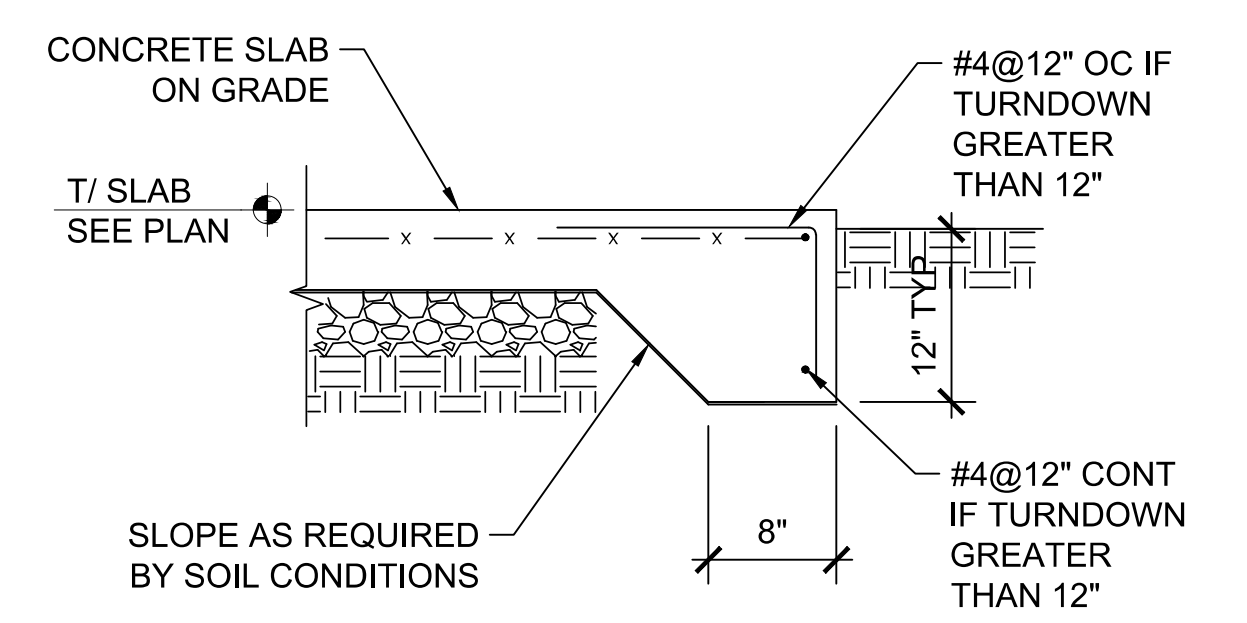
NOTES:

- SEE ARCHITECTURAL AND PLUMBING DRAWINGS FOR LOCATION AND EXTENT.

TYPICAL PIPE SLEEVE THROUGH CONT FOOTING

SCALE: 1" = 1'-0"

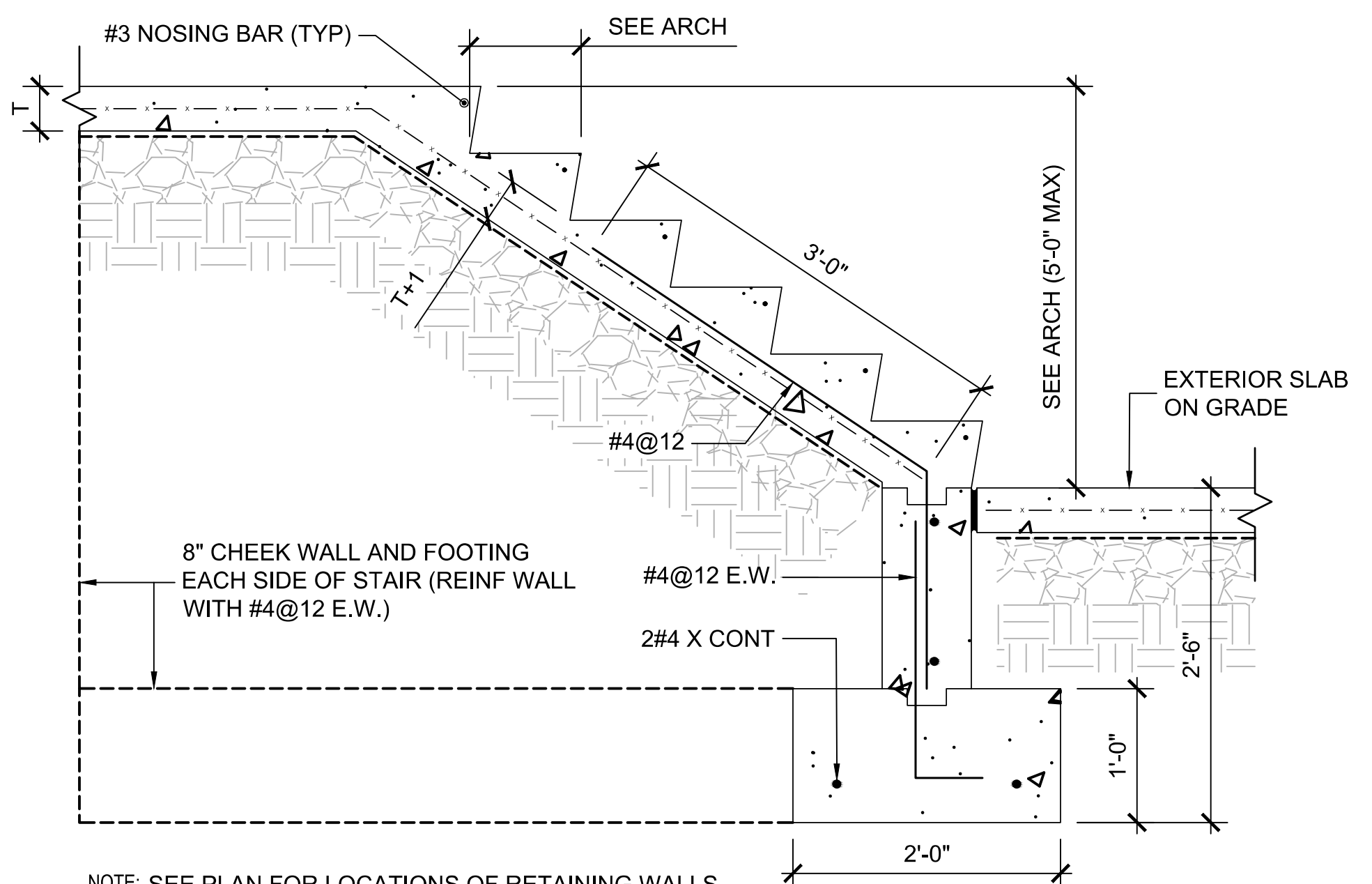
5
S230



TYPICAL SLAB ON GRADE TURNDOWN

SCALE: 1" = 1'-0"

6
S230

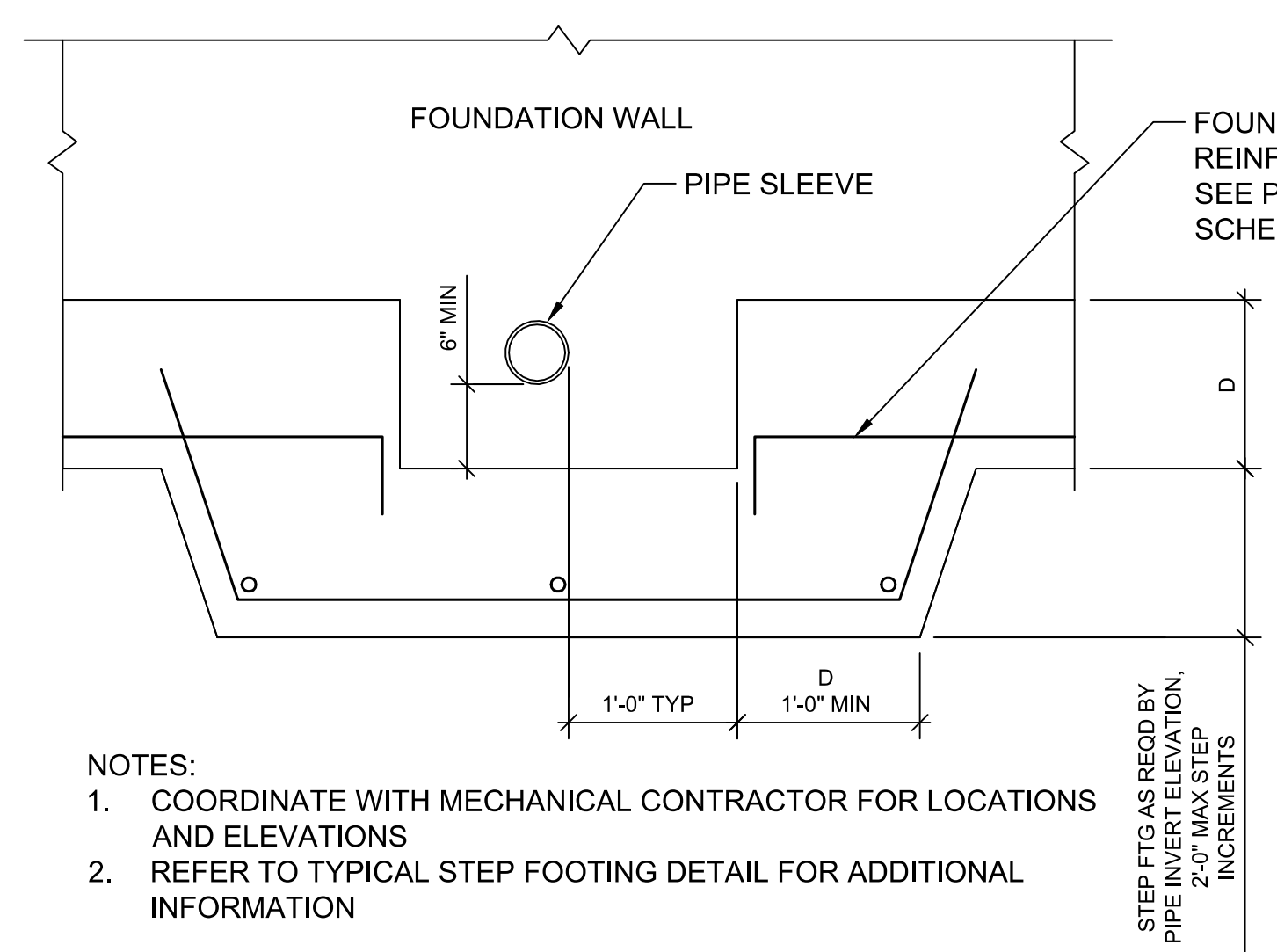


NOTE: SEE PLAN FOR LOCATIONS OF RETAINING WALLS

TYPICAL STAIR ON GRADE DETAIL

SCALE: NOT TO SCALE

7
S230



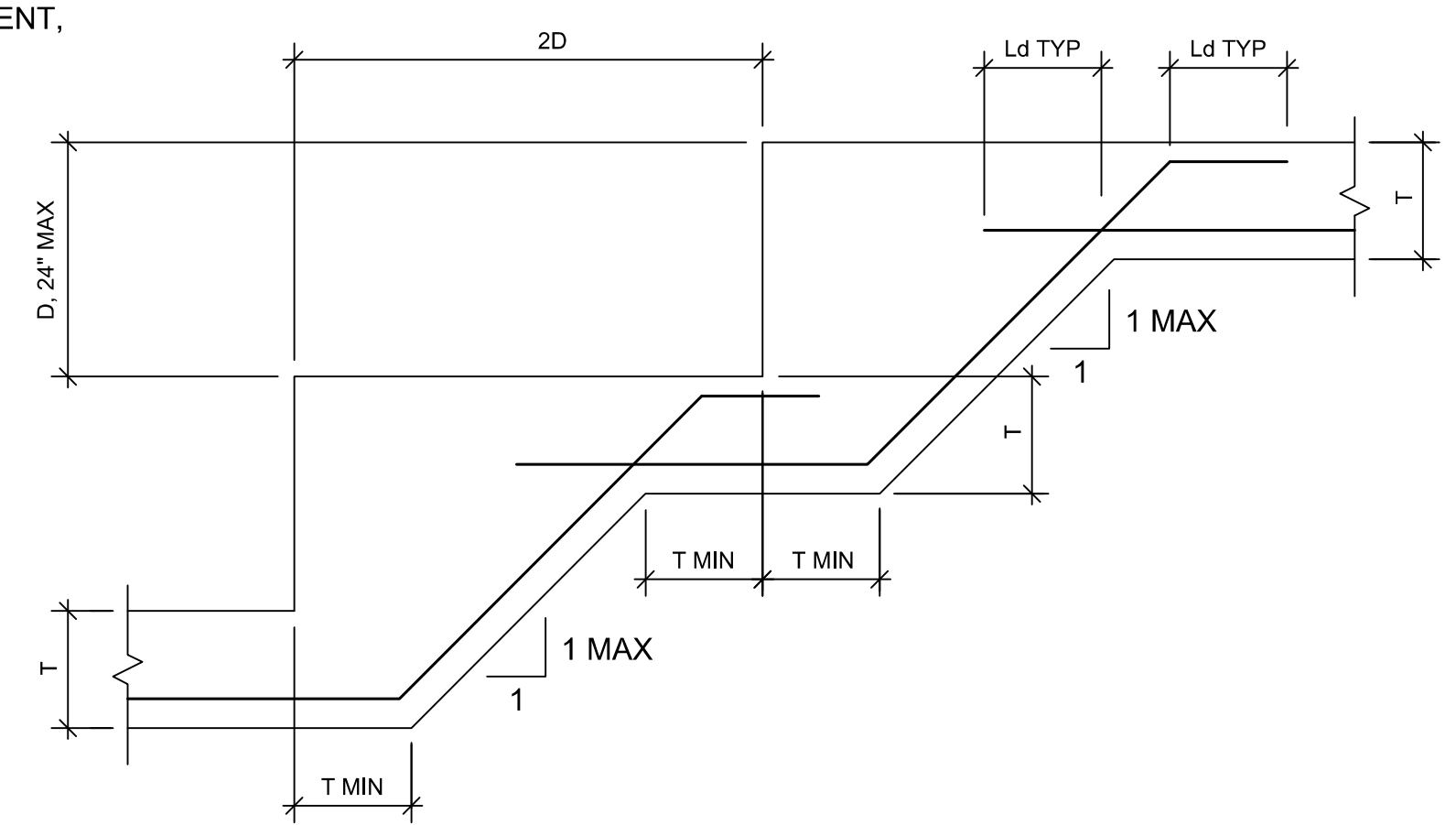
NOTES:

- COORDINATE WITH MECHANICAL CONTRACTOR FOR LOCATIONS AND ELEVATIONS
- REFER TO TYPICAL STEP FOOTING DETAIL FOR ADDITIONAL INFORMATION

TYPICAL STEPPED FOOTING W/ PIPE SLEEVE

SCALE: 1" = 1'-0"

8
S230



TYPICAL STEPPED WALL FOOTING DETAIL

SCALE: 1" = 1'-0"

9
S230