



RUST | ORLING
ARCHITECTURE

1215 CAMERON STREET
ALEXANDRIA, VA
22314

T - 703.836.3205
F - 703.548.4779
admin@rustorling.com
www.rustorling.com



Field & Tung
Structural Engineers
1210 18th Street NW
Third Floor
Washington, DC 20036
202.760.2270

CADENCE AT PARK
VIENNA, VIRGINIA

20.014

REVISIONS

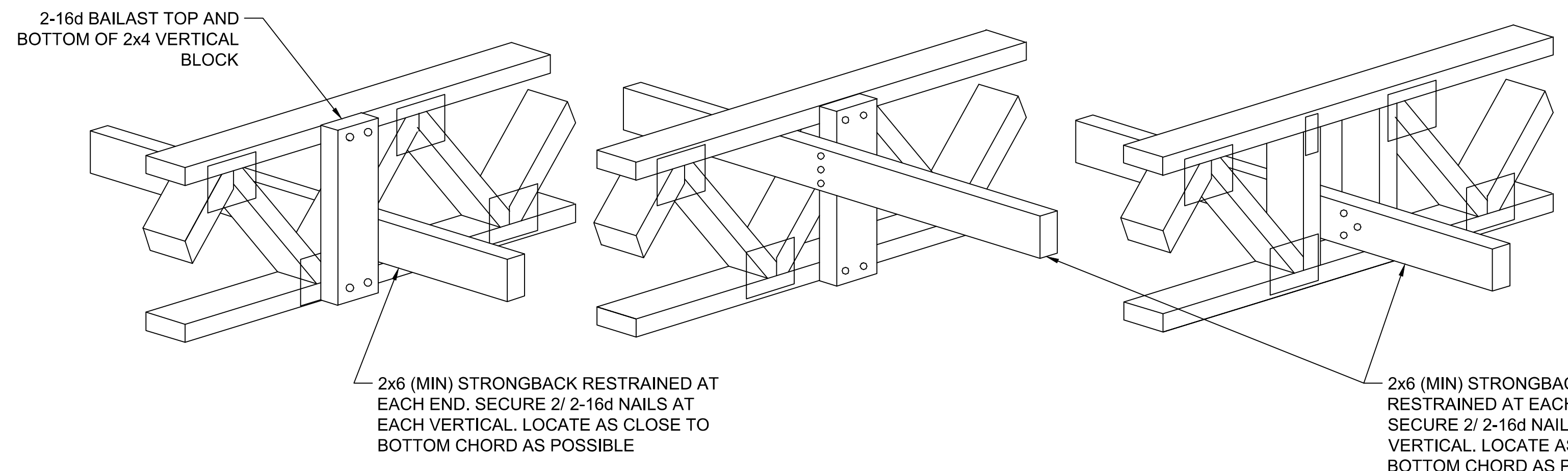
DATE	DESCRIPTION

FOR PERMIT
12.09.20

SECTIONS AND
DETAILS

SHEET NO.

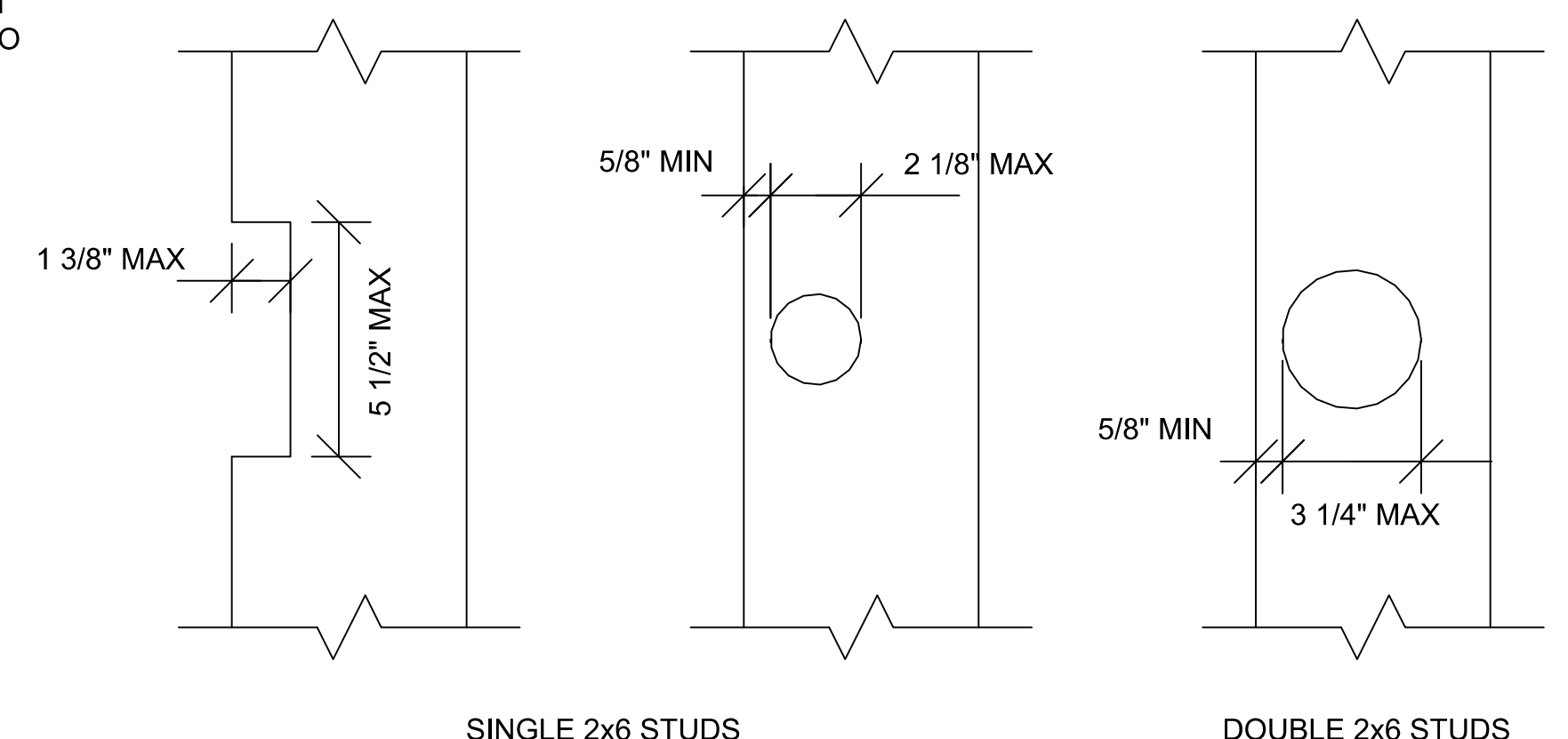
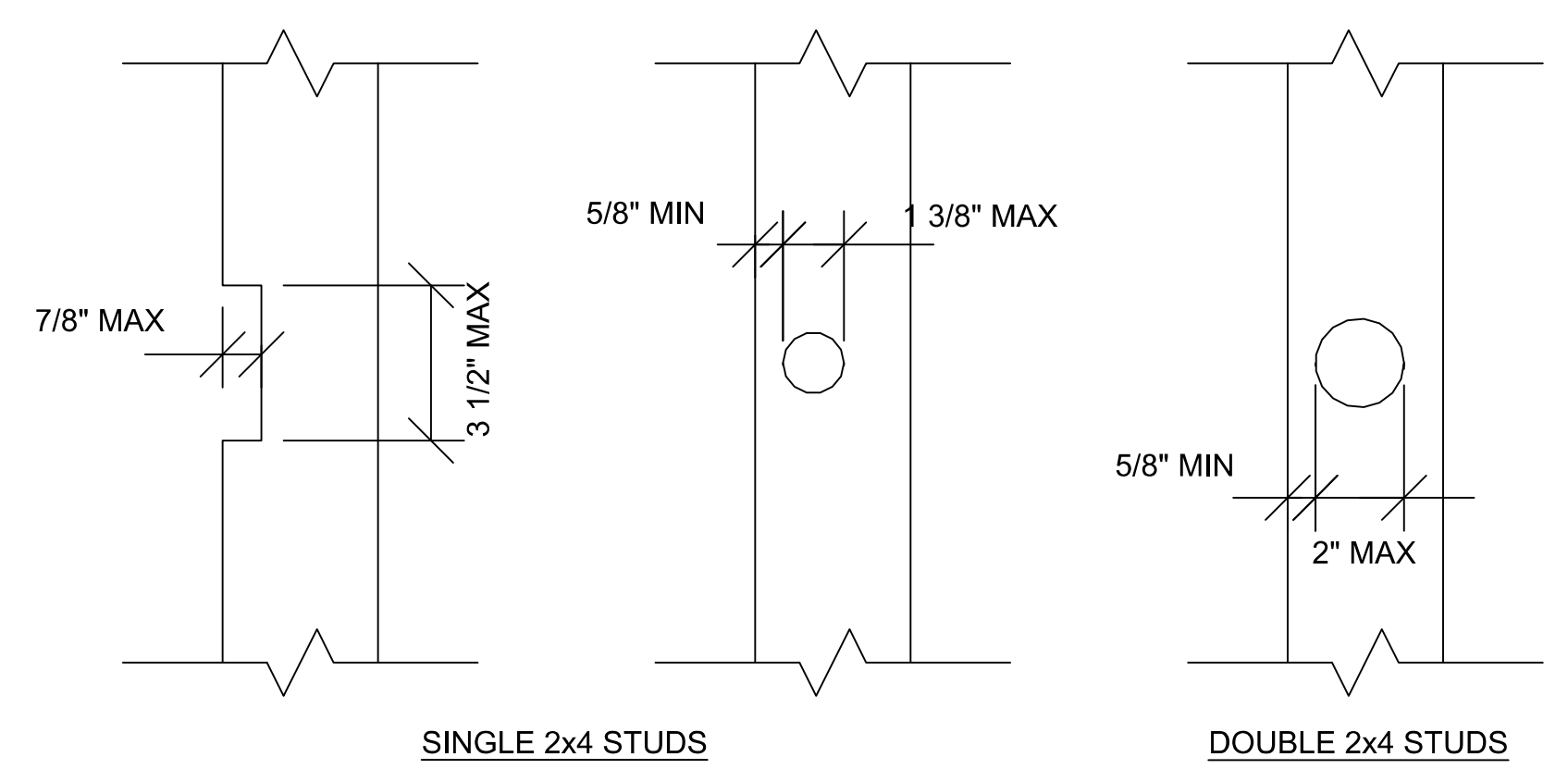
S262



- NOTES:
1. PROVIDE STRONGBACKS @ 10'-0" OC (MAX) TO MINIMIZE FLOOR VIBRATIONS.
 2. SEE ARCHITECTURAL DRAWINGS FOR ADDITIONAL FIRE ASSEMBLY REQUIREMENTS.
 3. SEE TRUSS MANUFACTURER DRAWINGS FOR ANY ADDITIONAL REQUIREMENTS / INFO.

TYPICAL STRONGBACK DETAIL

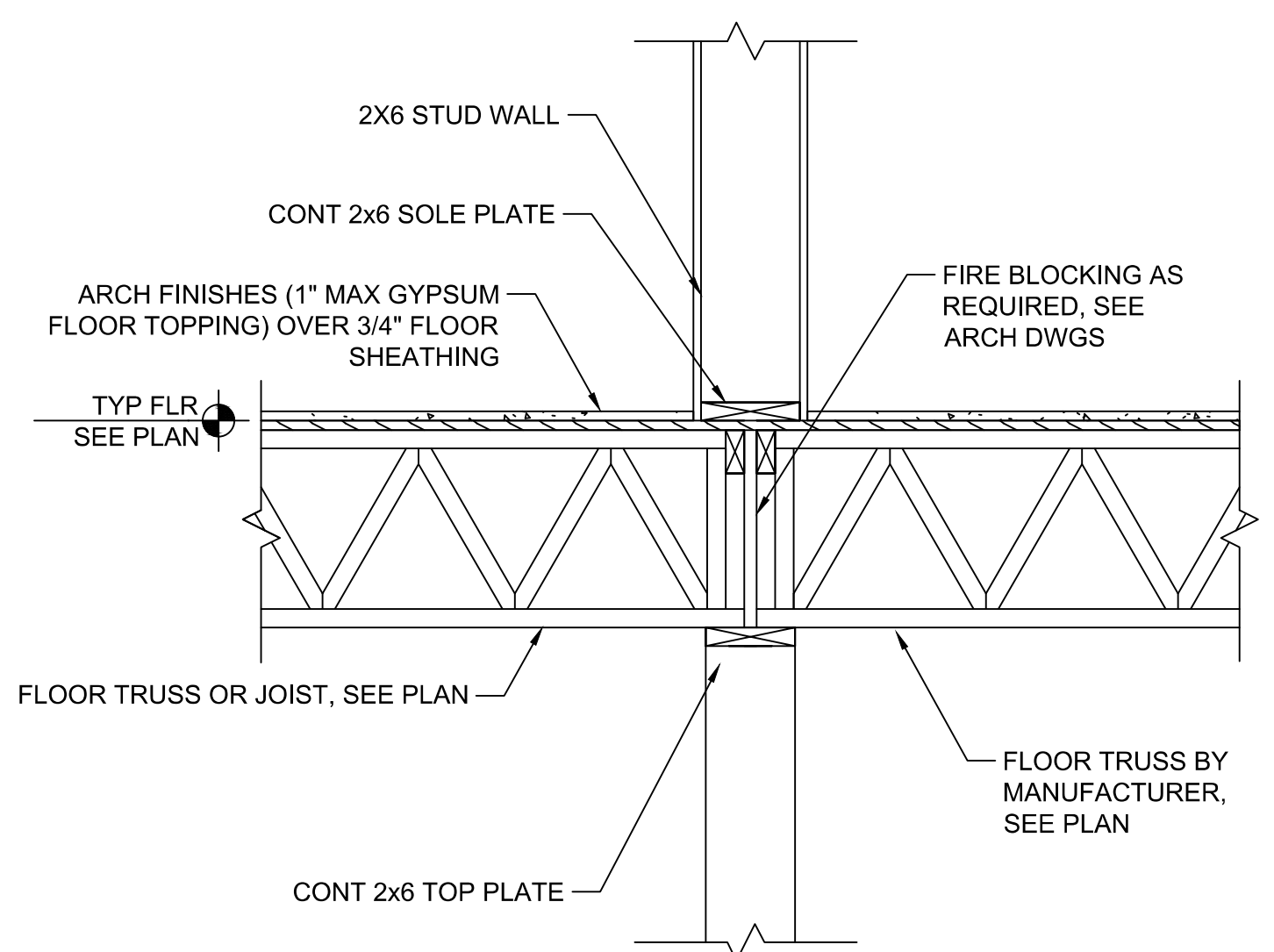
SCALE: NOT TO SCALE



- NOTES:
1. BORED HOLES SHALL NOT BE LOCATED AT THE SAME SECTION OF STUD AS A CUT OR NOTCH.
 2. INCREASED ALLOWABLE BORE DIAMETER AT DOUBLE STUDS ONLY PERMITTED IF NOT MORE THAN TWO SUCH SUCCESSIVE DOUBLE STUDS ARE BORED

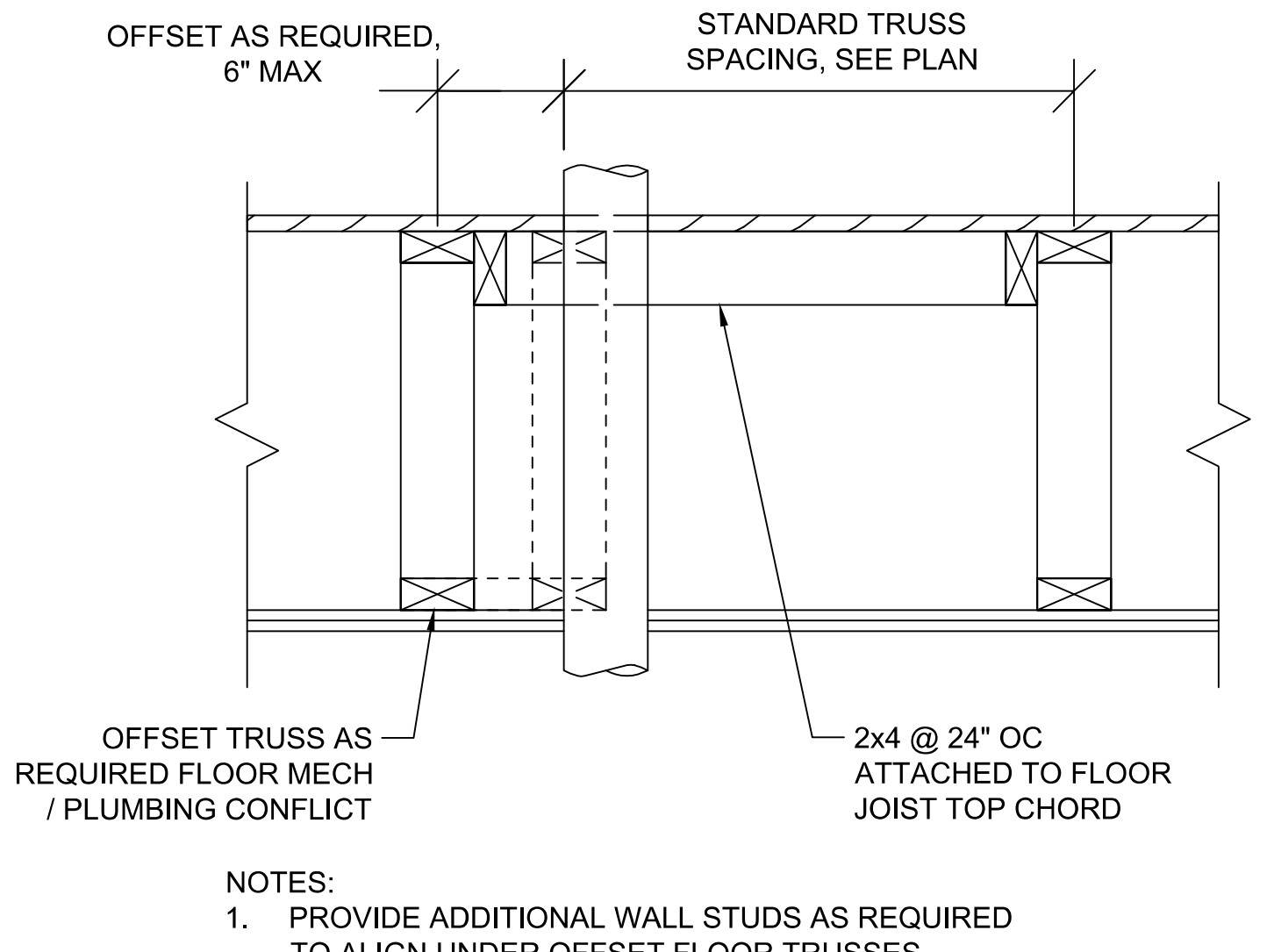
TYPICAL ALLOWABLE STUD NOTCHING OR BORING

SCALE: NOT TO SCALE



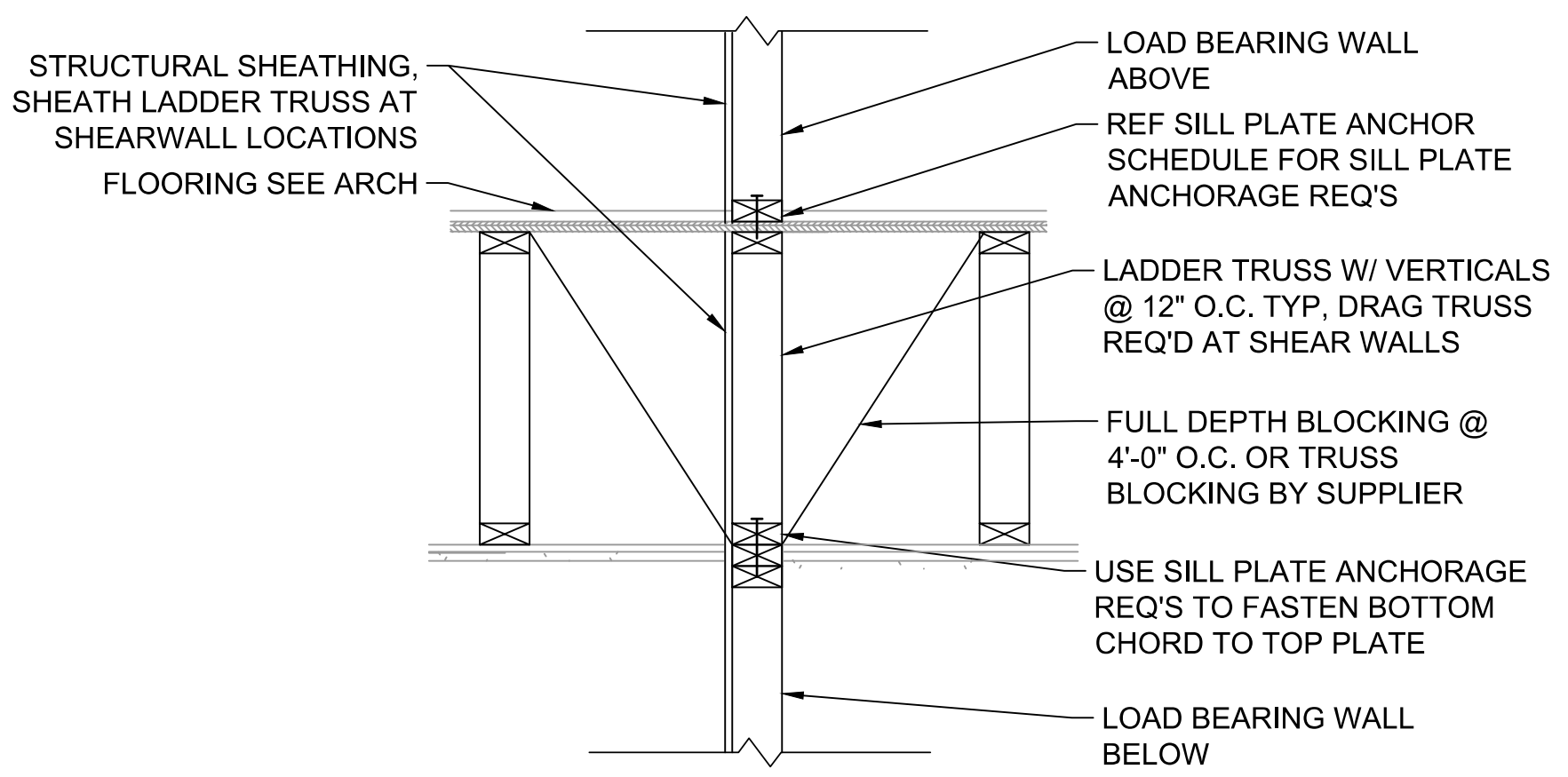
FLOOR FRAMING PERPENDICULAR TO DEMISING WALL

SCALE: NTS



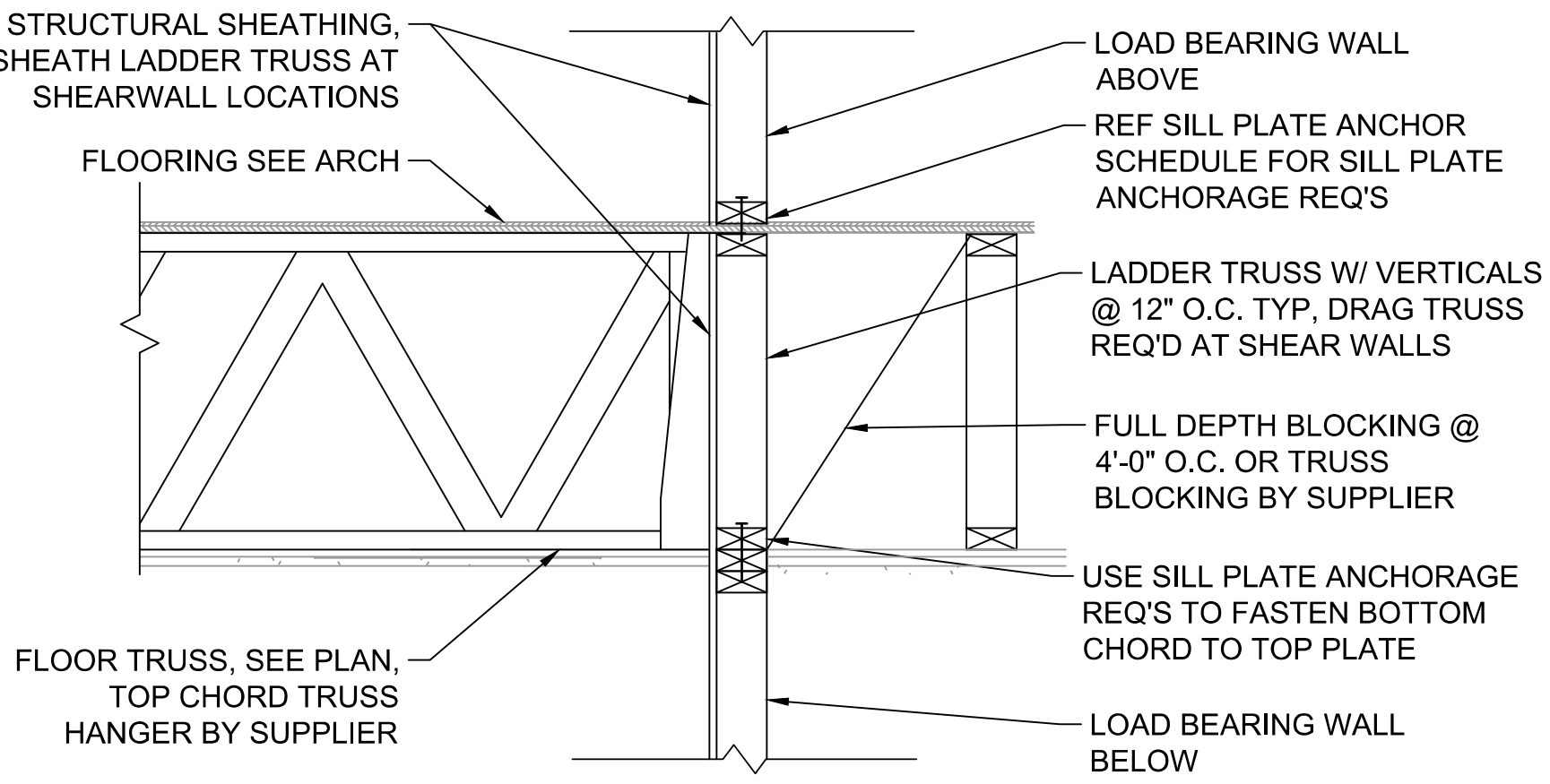
TYPICAL TRUSS / PLUMBING CONFLICT

SCALE: NOT TO SCALE



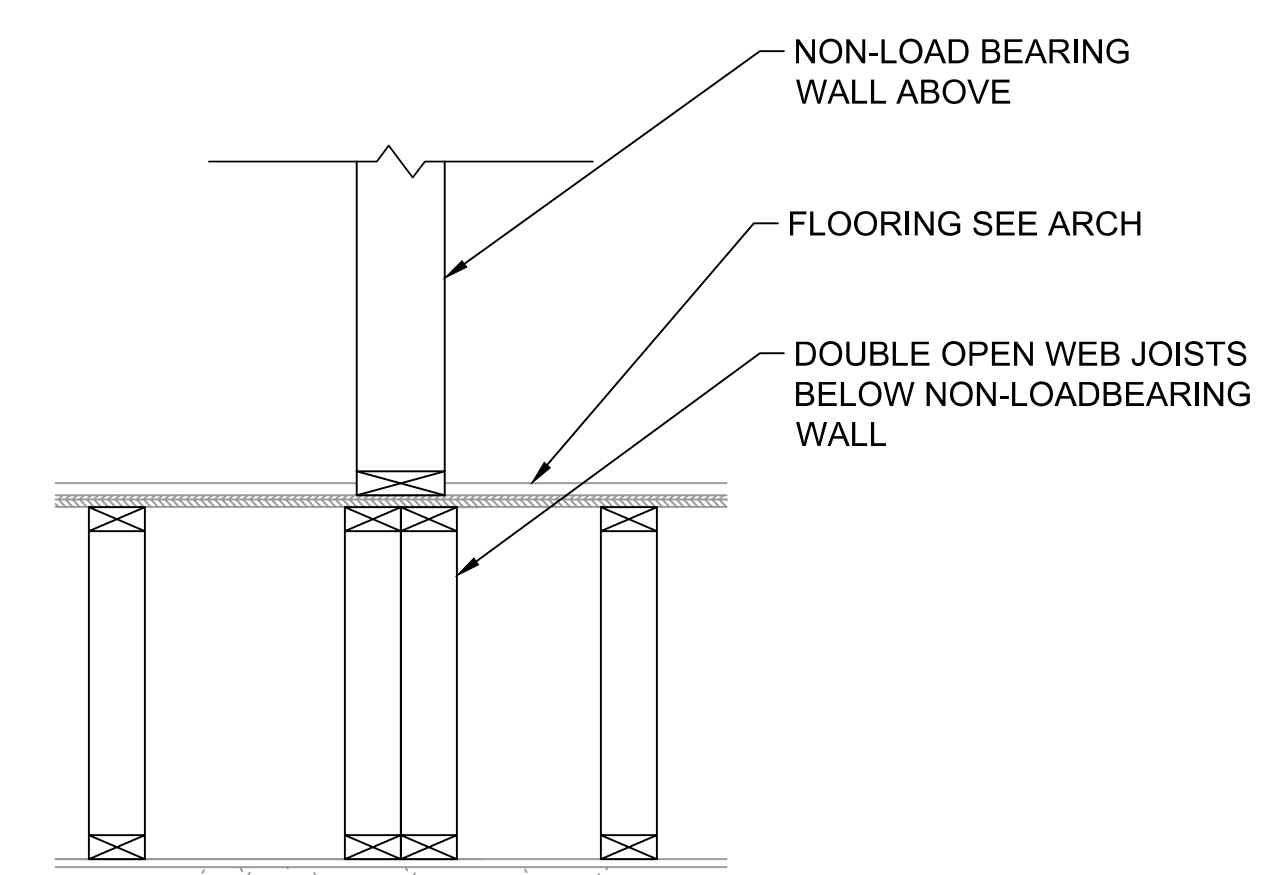
SUPPORT AT LOAD BEARING WALL

SCALE: NOT TO SCALE



SUPPORT AT LOAD BEARING WALL

SCALE: NOT TO SCALE



SUPPORT AT NON-LOAD BEARING WALL ABOVE

SCALE: NOT TO SCALE

1
S262

2
S262

3
S262

5
S262

6
S262

4
S262

7
S262