



RUST | ORLING
ARCHITECTURE

1215 CAMERON STREET
ALEXANDRIA, VA
22314

T - 703.836.3205
F - 703.548.4779
admin@rustorling.com
www.rustorling.com



Field & Tung
Structural Engineers
1210 18th Street NW
Third Floor
Washington, DC 20036
202.760.2270

CADENCE AT PARK
VIENNA, VIRGINIA

20.014

REVISIONS

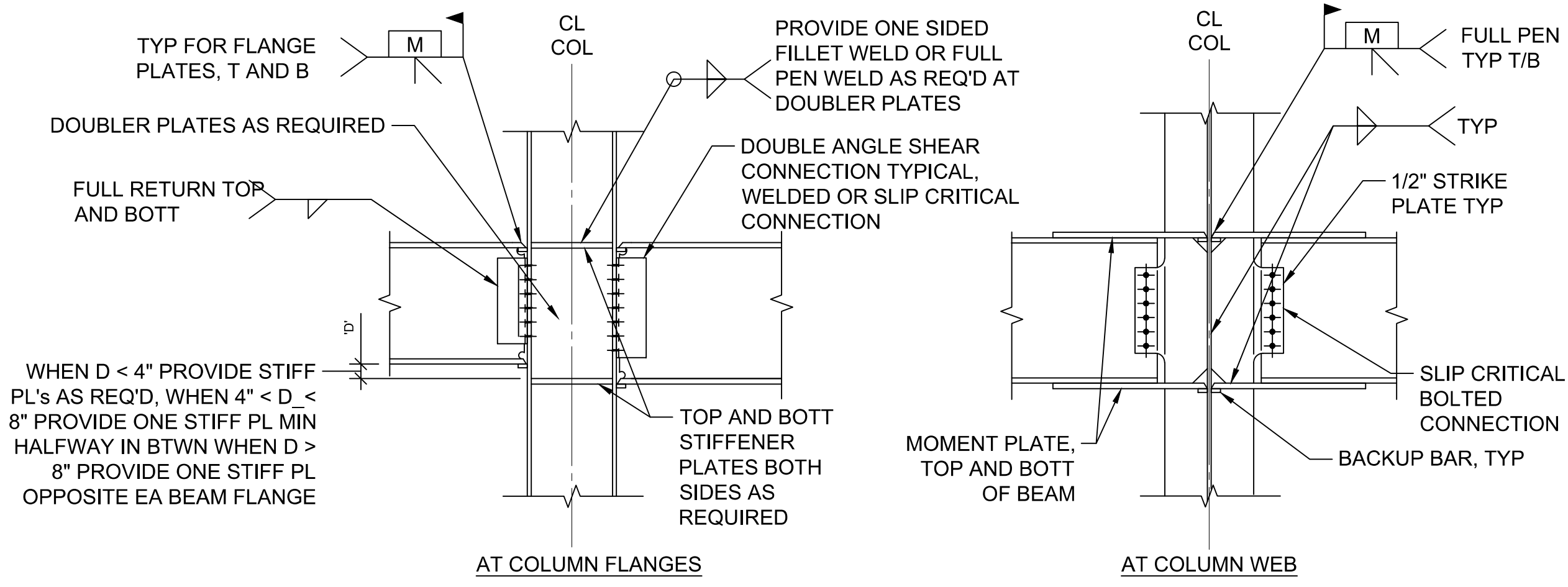
DATE	DESCRIPTION

FOR PERMIT
12.09.20

SECTIONS AND
DETAILS

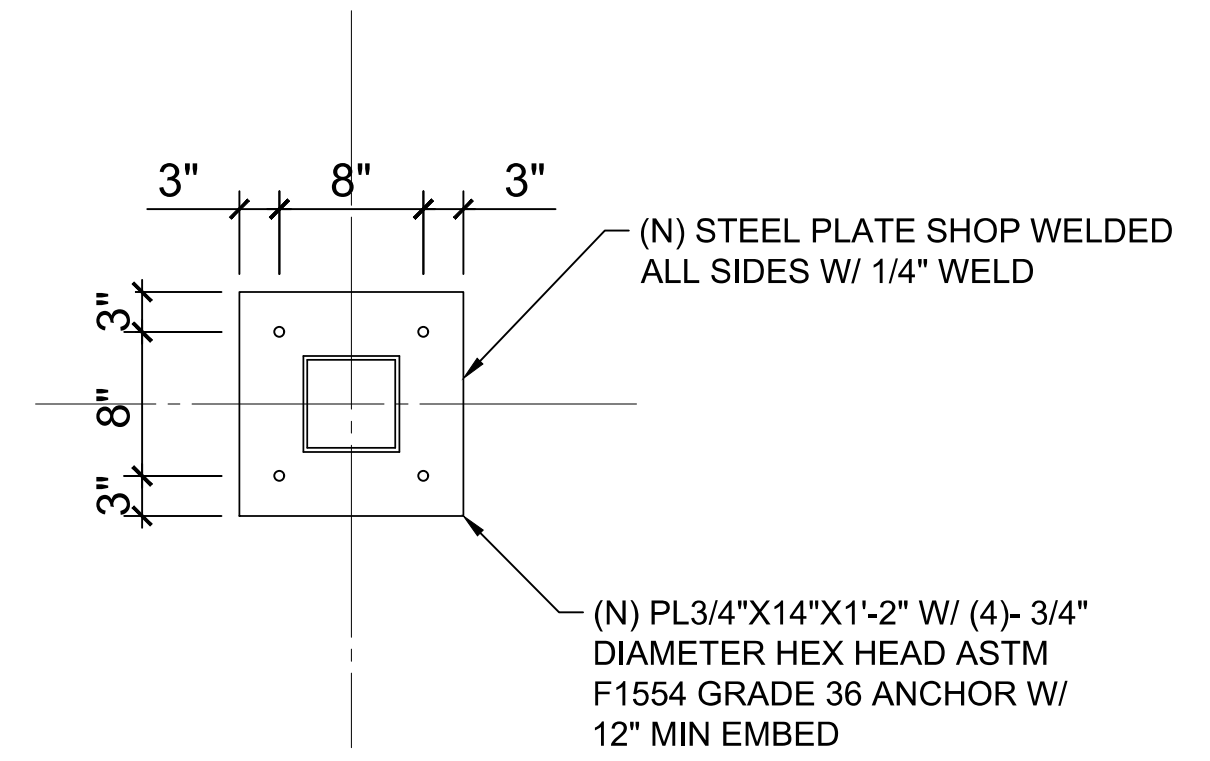
SHEET NO.

S250



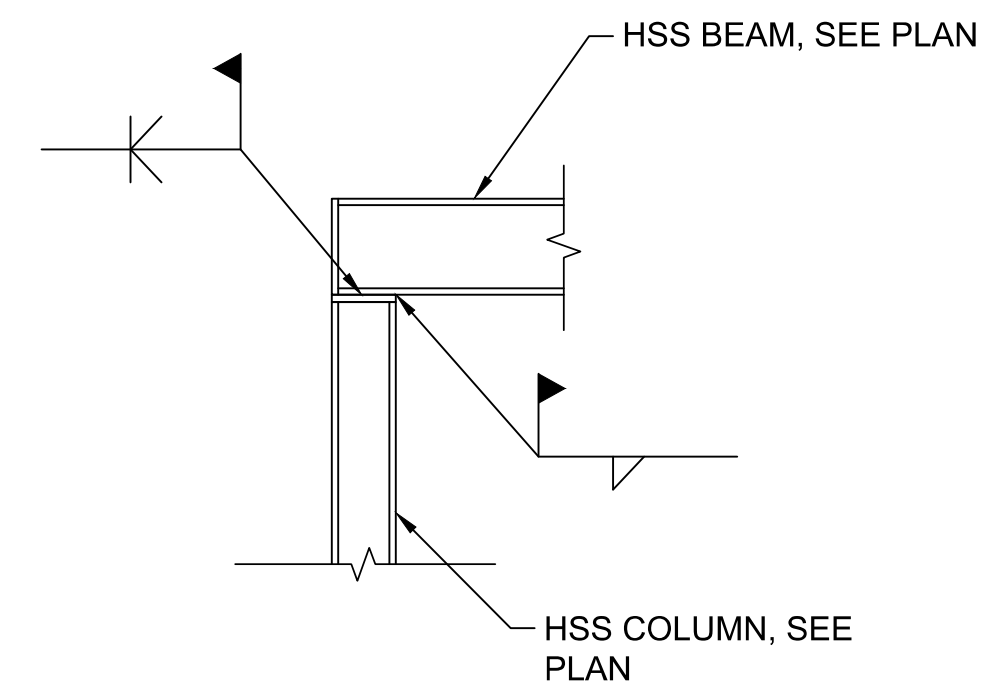
TYP BEAM TO COLUMN MOMENT CONNECTION
SCALE: NOT TO SCALE

1
S250



FIXED BASE CONNECTION
SCALE: 1" = 1'-0"

2
S250

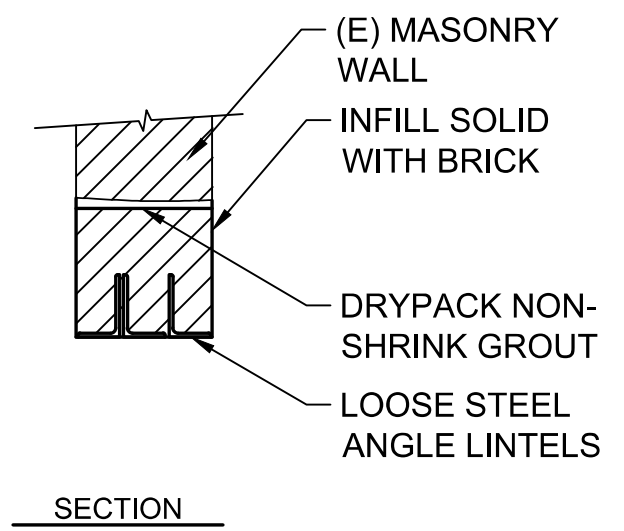
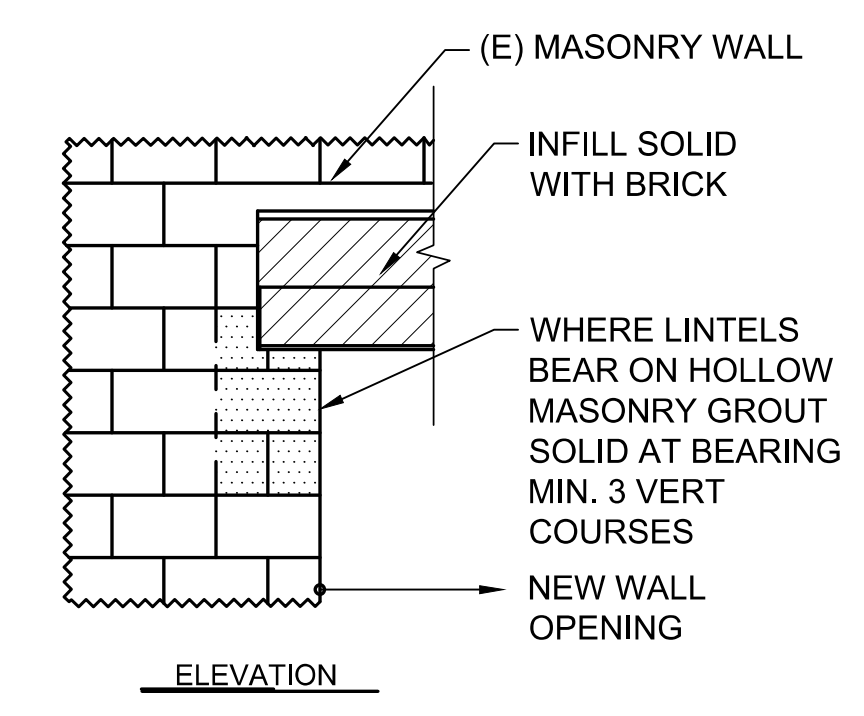


SECTION
SCALE: 1" = 1'-0"

3
S250

LOOSE LINTEL SCHEDULE (NON-LOADBEARING WALLS)			
M.O. WIDTH (MAX)	WALL THICKNESS		SECTION
	4"	6"	4" 6"
TO 3'-0"	L 3 1/2 x 3 1/2 x 1/4	L 5 x 5 x 5/16	L L
TO 4'-0"	L 3 1/2 x 3 1/2 x 1/4	L 5 x 5 x 5/16	L L
TO 5'-0"	L 4 x 3 1/2 x 1/4	L 5 x 5 x 5/16	L L
TO 6'-0"	L 4 x 3 1/2 x 1/4	L 5 x 5 x 5/16	L L
TO 7'-0"	L 5 x 3 1/2 x 1/4	L 5 x 5 x 3/8	L L
TO 8'-0"	L 6 x 3 1/2 x 5/16	L 6 x 6 x 3/8	L L
TO 8'-0"	4" x 8" NOM DIMENSION PRECAST LINTEL w/ 1-#4 TOP AND BOT	6" x 8" NOM DIMENSION PRECAST LINTEL w/ 2-#4 TOP AND BOT	□ □
TO 12'-0"	W6x12 WITH 1/4" HUNG PLATE	W6x12 WITH 1/4" HUNG PLATE	□ □

- WALL LINTEL SCHEDULE NOTES:**
- GALV ALL LINTELS IN EXTERIOR WALLS AND EXTERIOR WALL BACKUP.
 - MINIMUM THICKNESS OF LOOSE LINTEL ANGLES IN EXTERIOR WALLS TO BE 5/16".
 - BEARING WIDTH SHALL BE 1" PER FOOT OF CLEAR SPAN ON EACH END. MINIMUM WIDTH SHALL BE 8" IN BEARING WALLS, AND 6" IN NON-LOADBEARING WALLS, UNO.
 - GROUT CMU FOR (16") x (FULL HEIGHT OF OPENING) TO UNDERSIDE OF LINTEL BEARING (TYP, UNO).
 - GROUT OPEN CELLS OF UPPER COURSES MONOLITHICALLY w/ U-SHAPED BLOCK LINTEL.
 - PRECAST CONCRETE (PC) LINTELS SHALL BE MADE OF 3000 PSI CONCRETE (MINIMUM 28 DAY COMPRESSIVE STRENGTH).
 - USE (2) 4" PC UNITS FOR 8" WALL, 4" + 6" PC UNITS FOR 10" WALL, (2) 6" OR (3) 4" PC UNITS FOR 12" WALL, ETC.
 - USE ARCHITECTURAL AND MECHANICAL DRAWINGS TO COORDINATE LINTEL ELEVATIONS WITH DOOR SCHEDULE, CEILING HEIGHTS, DUCT ELEVATIONS, ETC. SHOP DRAWINGS SHALL BE SUBMITTED FOR REVIEW WITH THIS INFORMATION.



NOTES: LOOSE STEEL ANGLE LINTELS NOT INTENDED TO BE USED UNDER BEAM BEARING, UNO.

TYPICAL LOOSE STEEL ANGLE LINTEL
SCALE: NOT TO SCALE

4
S250