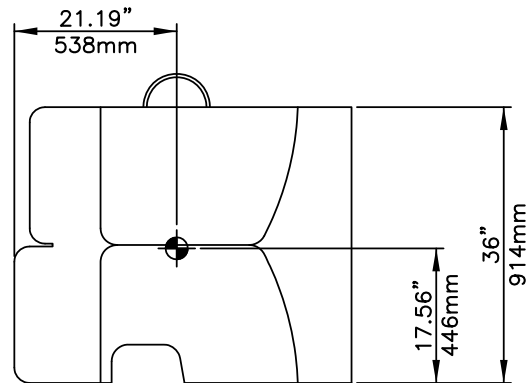
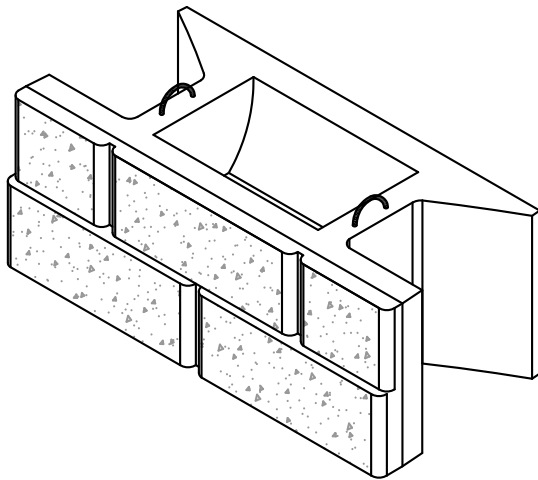
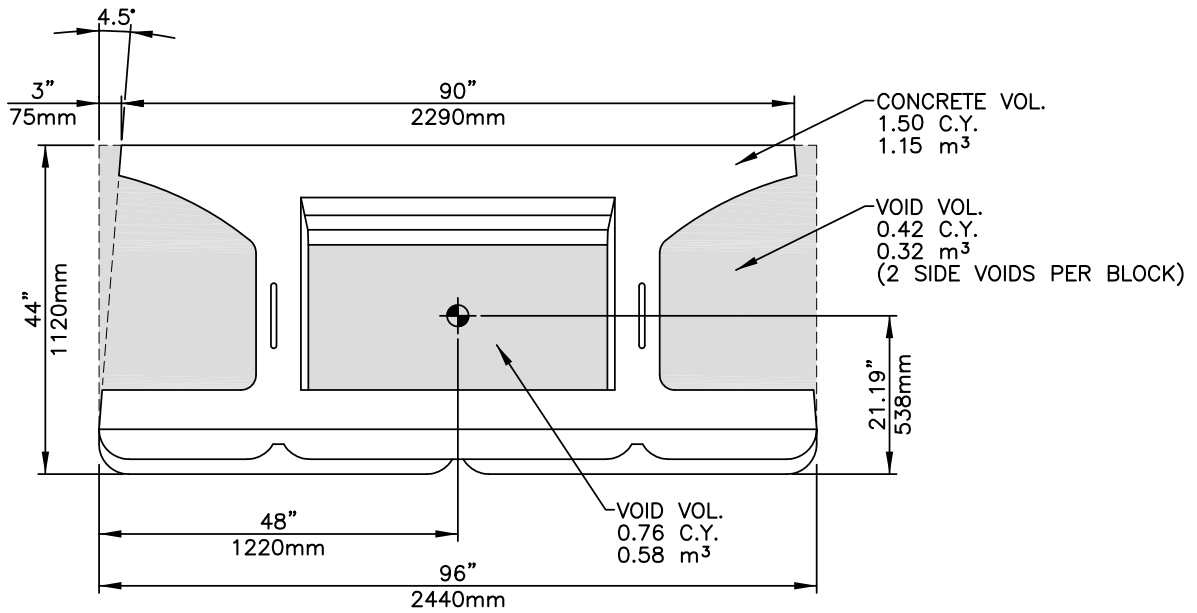
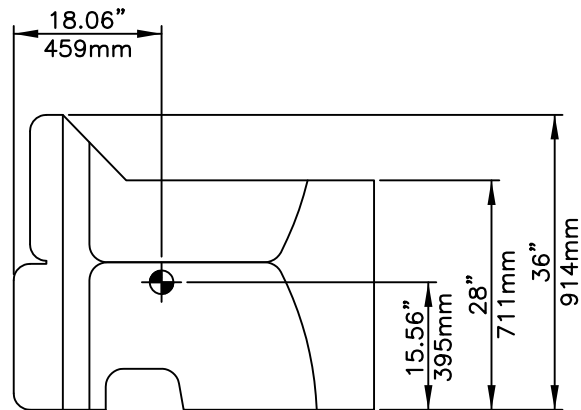
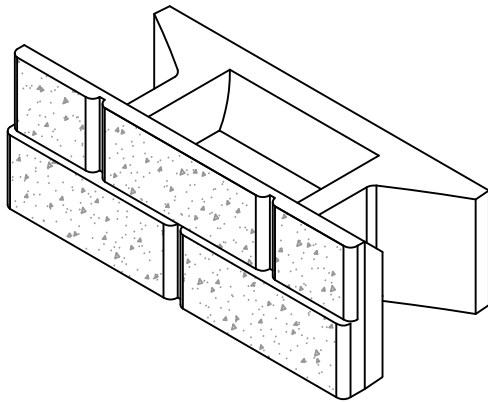
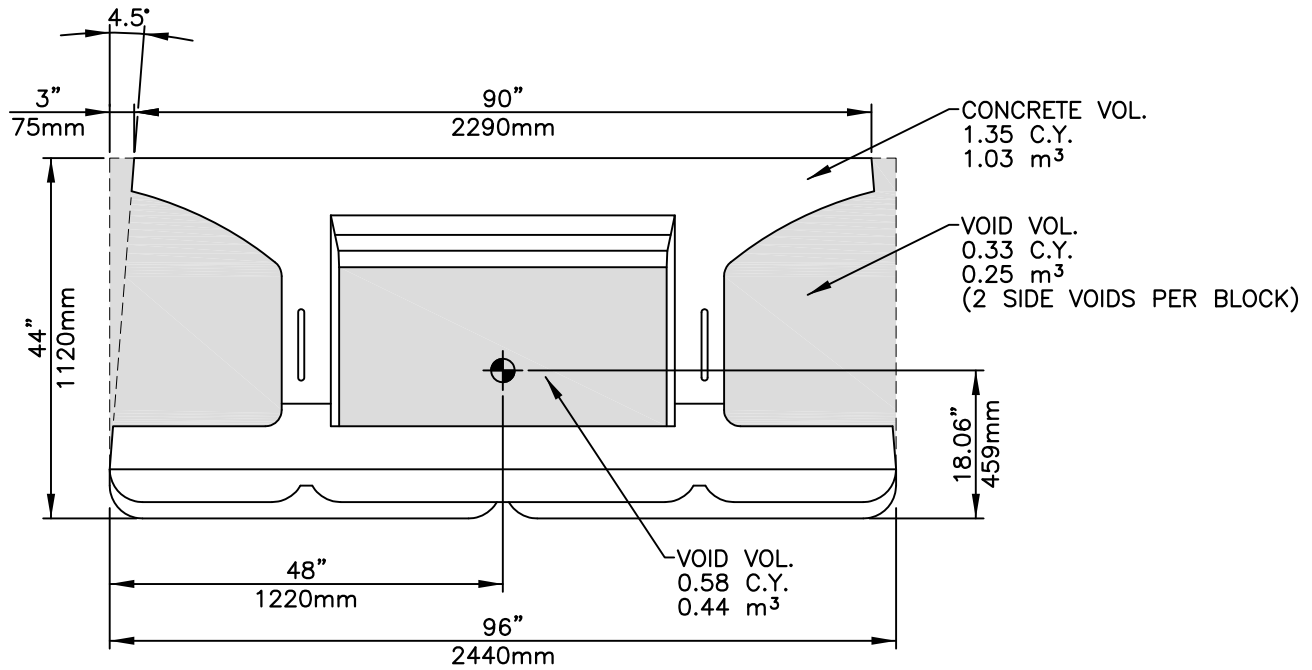


SYSTEM COMPONENTS

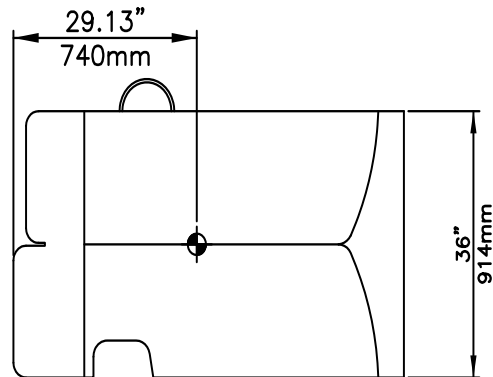
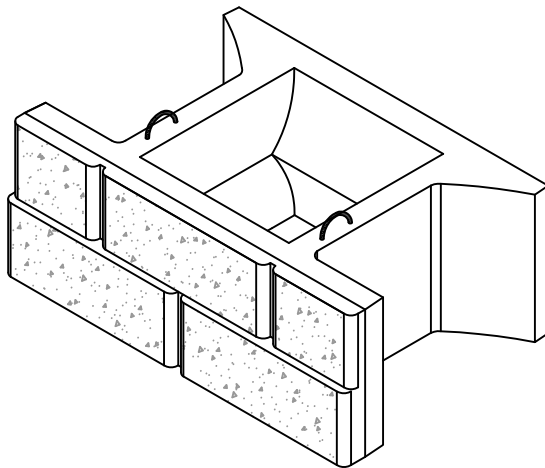
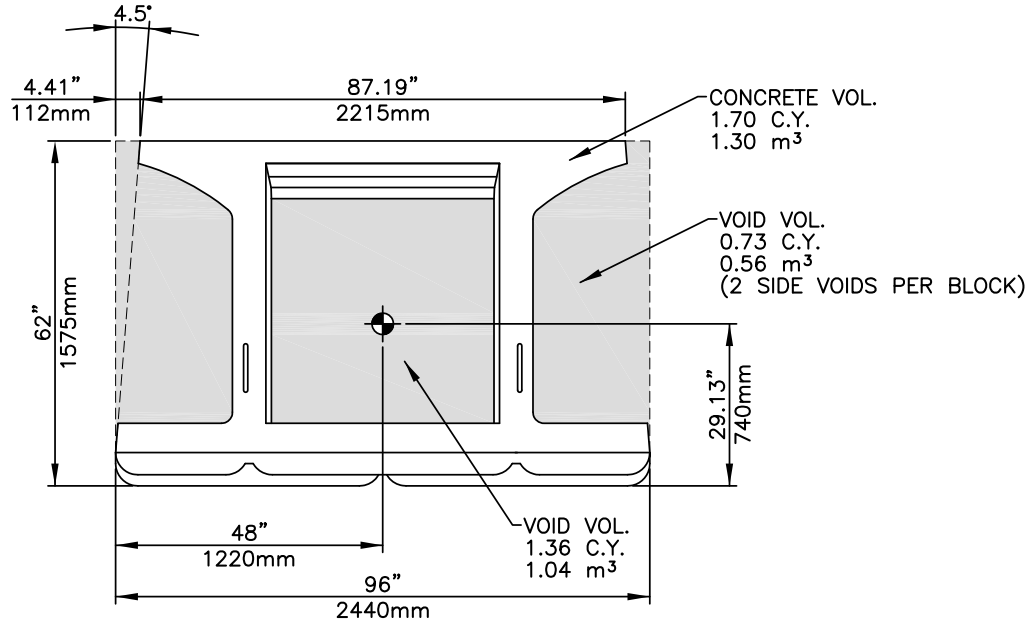
24 SF BLOCK



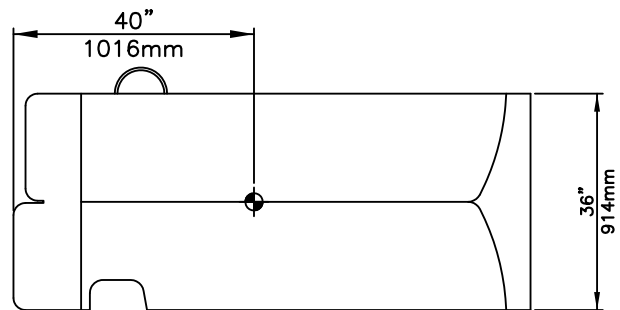
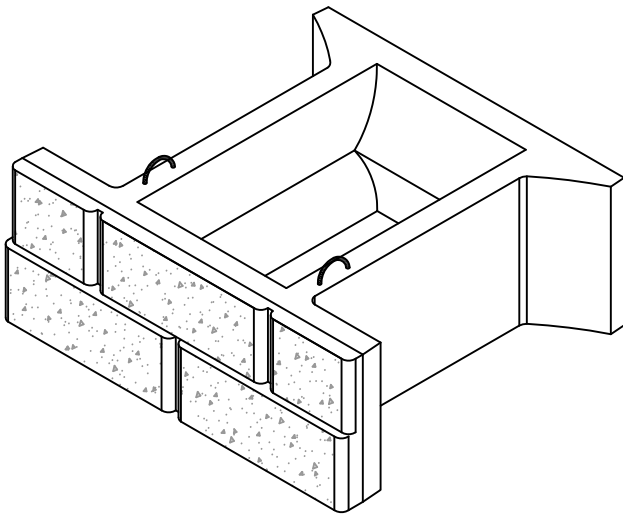
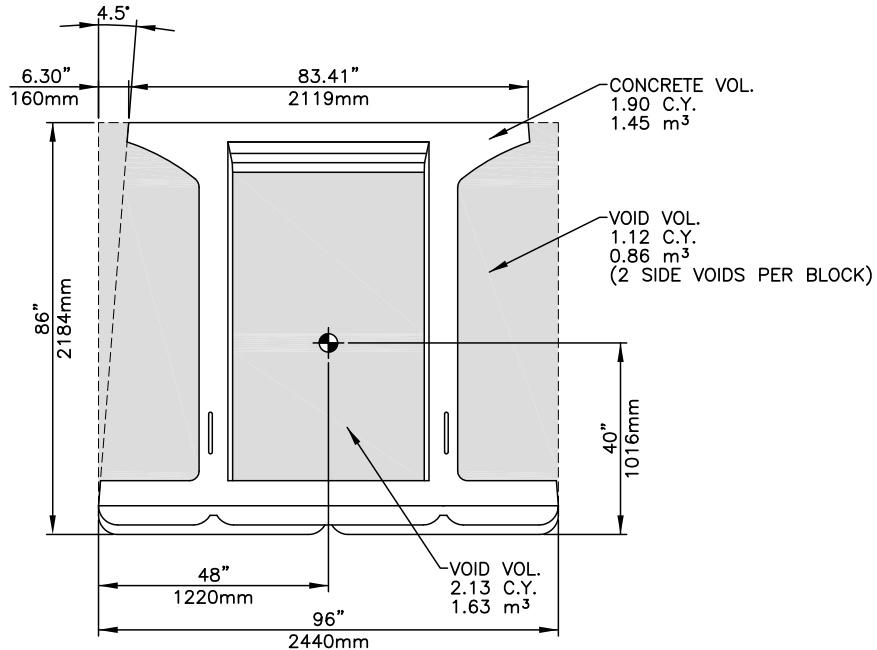
Block Wt.	6,000 lbs	2,720 kg
Form Wt.	4,600 lbs	2,090 kg
Concrete Volume	1.50 CY	1.15 m ³
Aggregate Infill	1.60 CY	1.22 m ³
(per face area)	0.1 tons/sf	1,000 kg/m ²



Block Wt.	5,400 lbs	2,445 kg
Form Wt.	4,930 lbs	2,235 kg
Concrete Volume	1.35 CY	1.03 m ³
Aggregate Infill	1.24 CY	0.94 m ³
(per face area)	0.1 tons/sf	1,000 kg/m ²



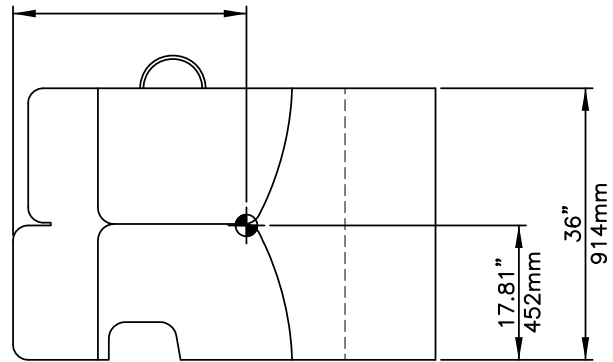
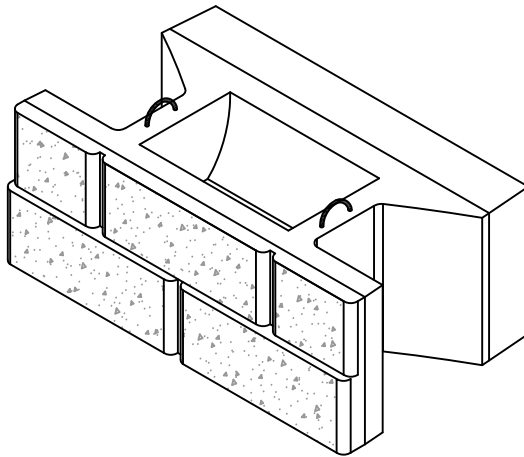
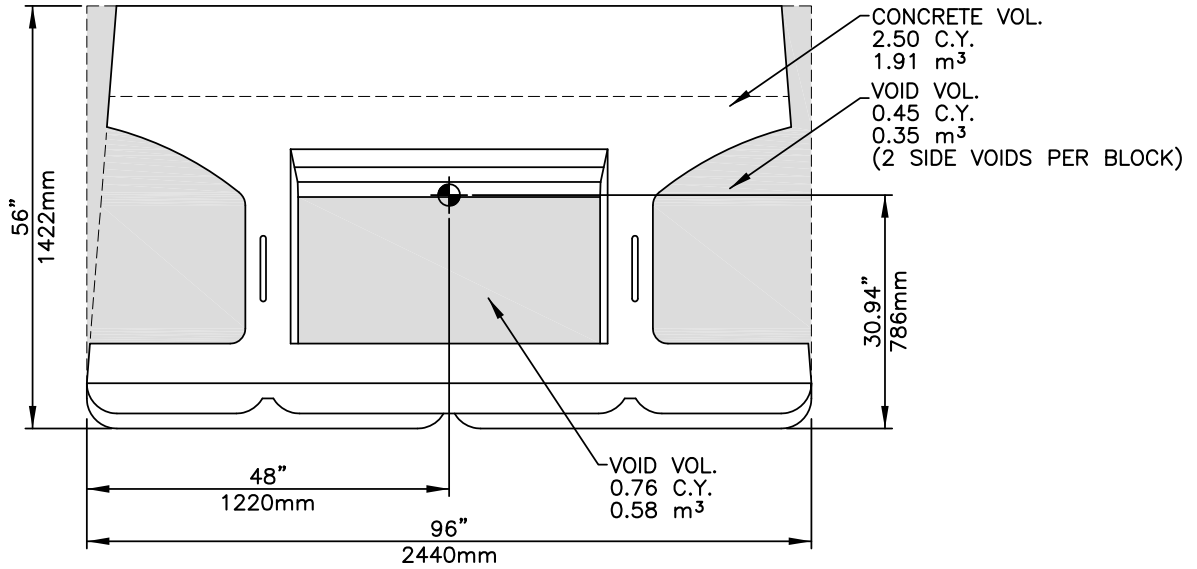
Block Wt.	6,800 lbs	3,080 kg
Form Wt.	6,580 lbs	2,990 kg
Concrete Volume	1.70 CY	1.30 m ³
Aggregate Infill	2.82 CY	2.16 m ³
(per face area)	0.2 tons/sf	2,000 kg/m ²



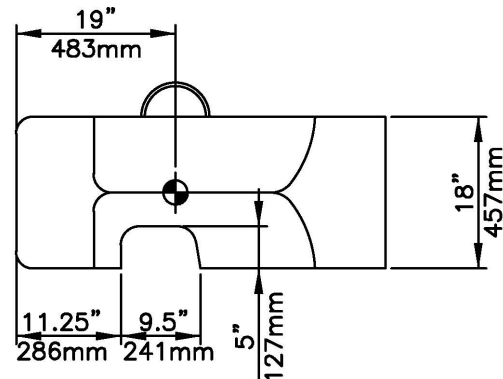
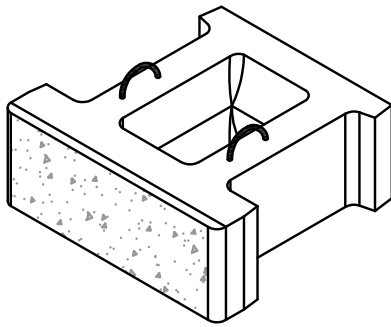
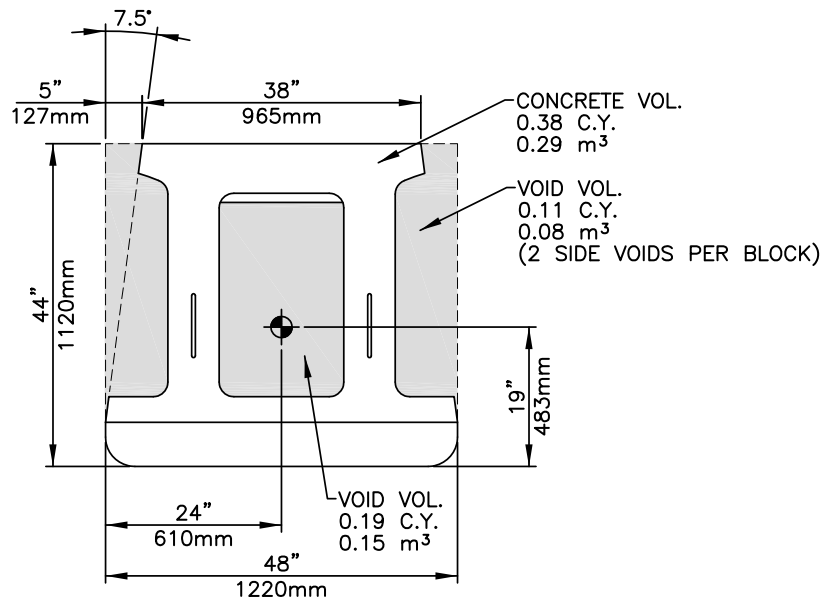
Block Wt.	7,600 lbs	3,445 kg
Form Wt.	7,695 lbs	3,490 kg
Concrete Volume	1.90 CY	1.45 m ³
Aggregate Infill	4.37 CY	3.35 m ³
(per face area)	0.3 tons/sf	3,000 kg/m ²

SYSTEM COMPONENTS

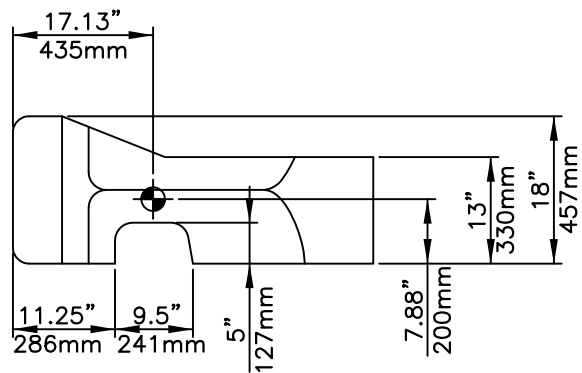
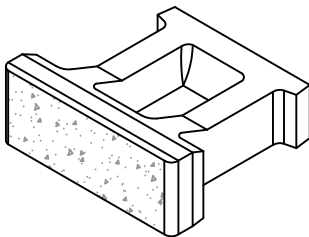
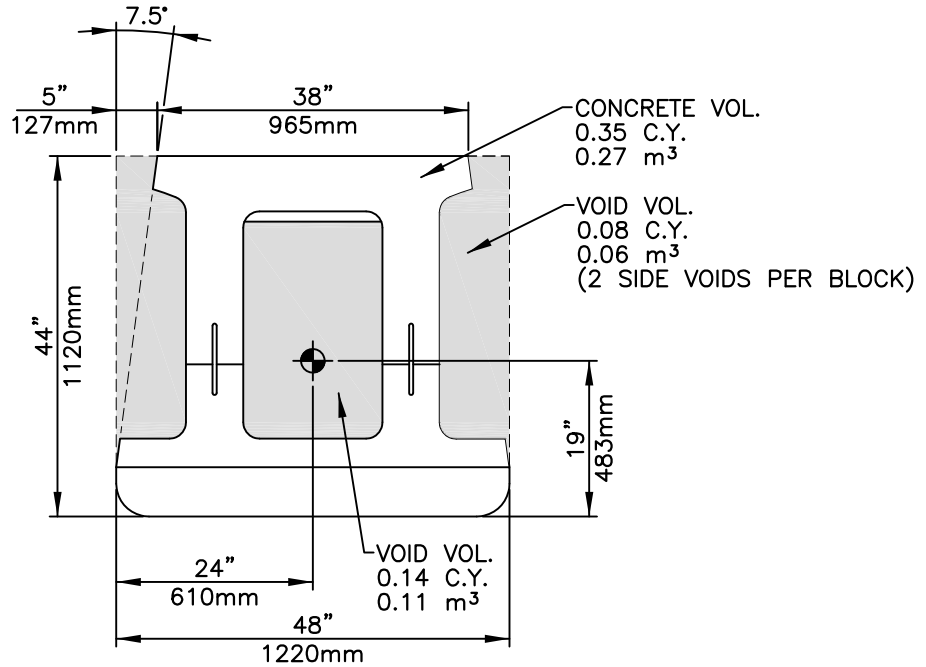
24 SF MASS EXTENDER BLOCK



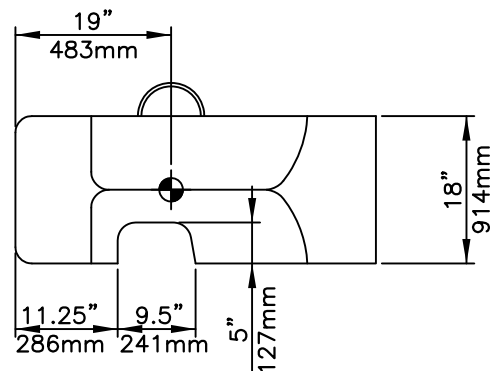
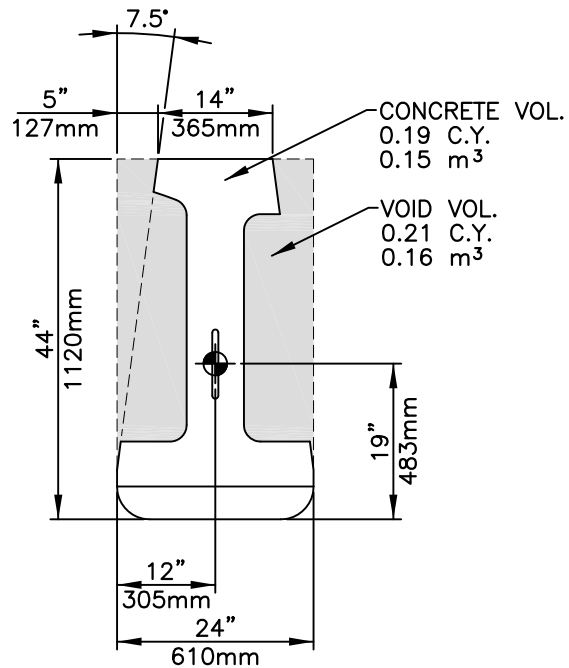
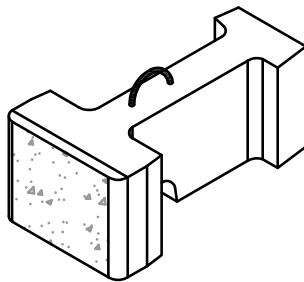
Block Wt.	10,000 lbs	4,585 kg
Form Wt.	5,120 lbs	2,320 kg
Concrete Volume	2.50 CY	1.91 m ³
Aggregate Infill	1.66 CY	1.28 m ³
(per face area)	0.1 tons/sf	1,000 kg/m ²



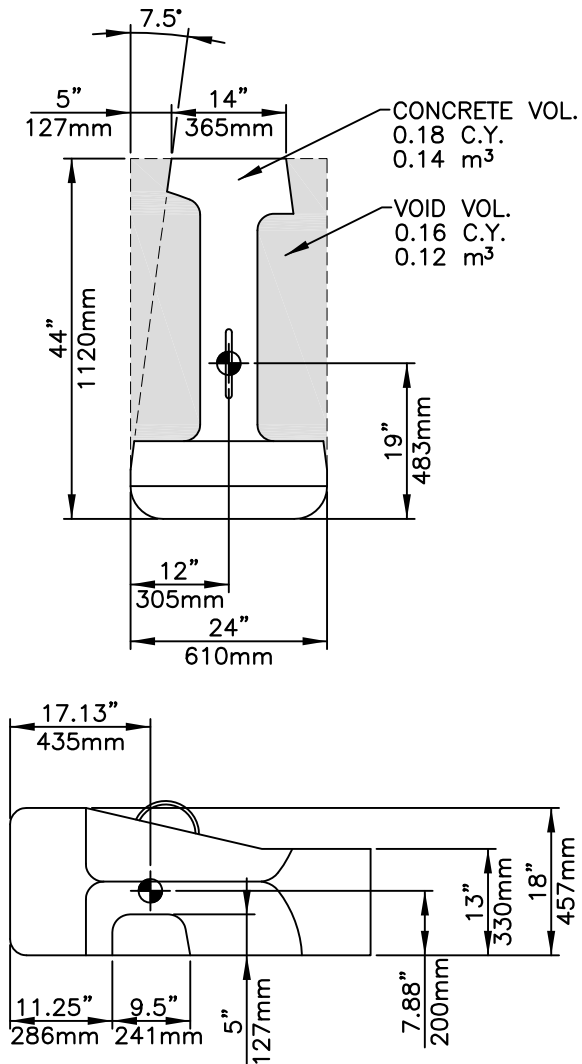
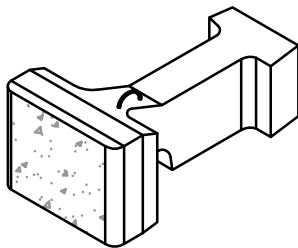
Block Wt.	1,500 lbs	680 kg
Form Wt.	1,800 lbs	815 kg
Concrete Volume	0.38 CY	0.29 m ³
Aggregate Infill	0.41 CY	0.31 m ³
(per face area)	0.1 tons/sf	1,000 kg/m ²



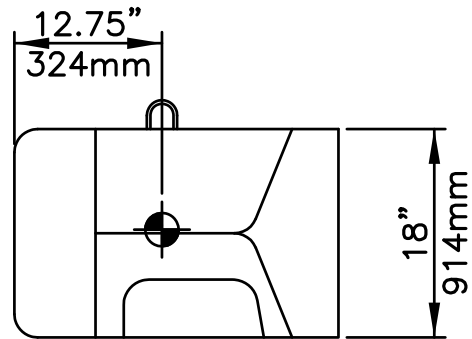
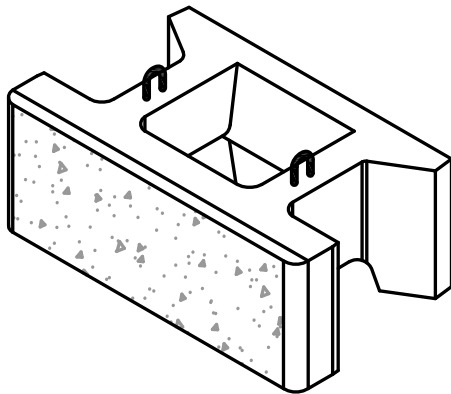
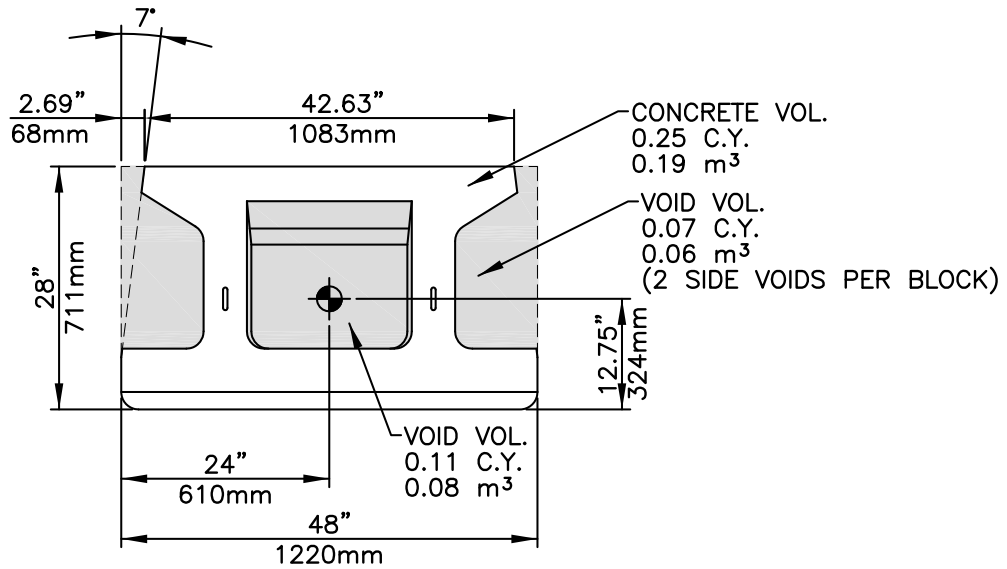
Block Wt.	1,400 lbs	635 kg
Form Wt.	1,955 lbs	885 kg
Concrete Volume	0.35 CY	0.27 m ³
Aggregate Infill (per face area)	0.30 CY 0.1 ton/sf	0.23 m ³ 1,000 kg/ m ²



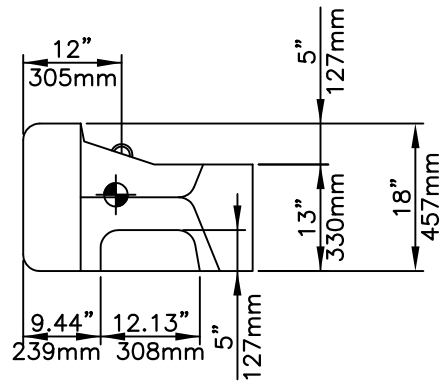
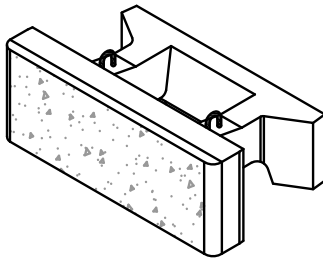
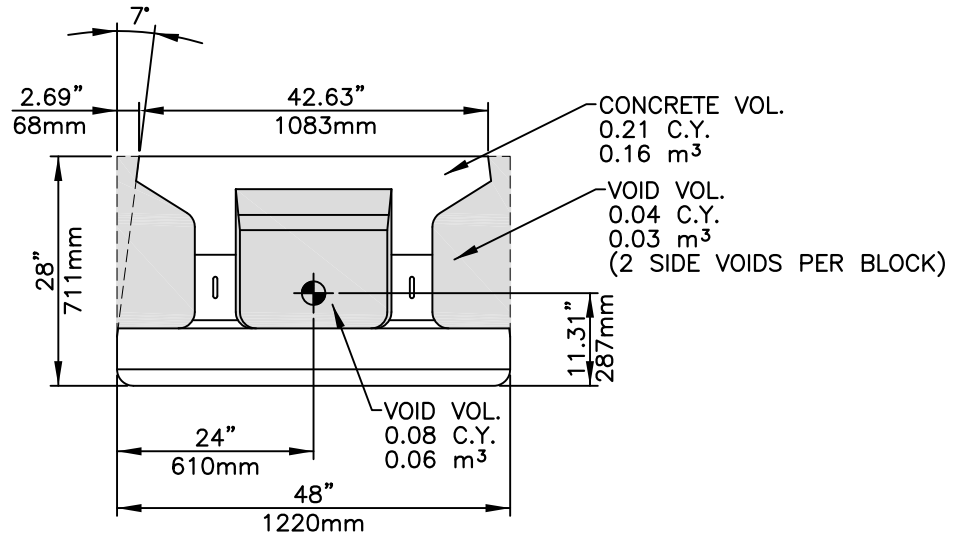
Block Wt.	740 lbs	355 kg
Form Wt.	1,820 lbs	825 kg
Concrete Volume	0.19 CY	0.15 m ³
Aggregate Infill	0.21 CY	0.16 m ³
(per face area)	.01 ton/sf	1,000 kg/m ²



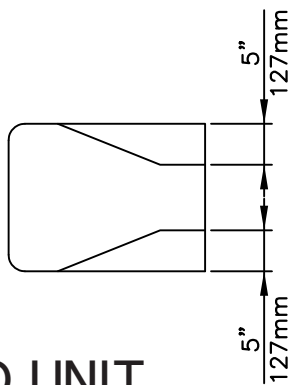
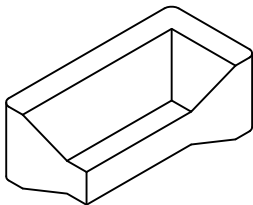
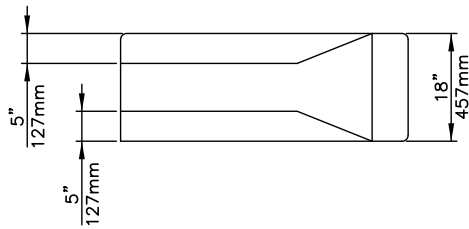
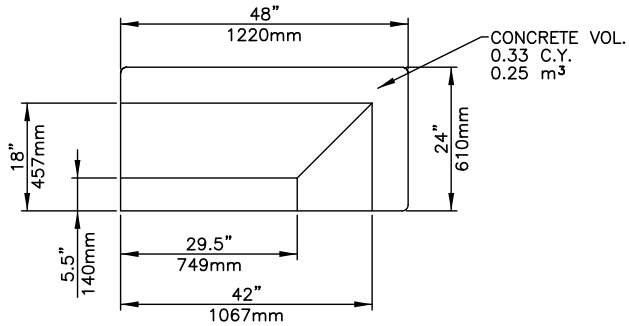
Block Wt.	690 lbs	310 kg
Form Wt.	1,975 lbs	895 kg
Concrete Volume	0.18 CY	0.14 m ³
Aggregate Infill (per face area)	0.16 CY .01 ton/sf	0.12 m ³ 1,000 kg/ m ²



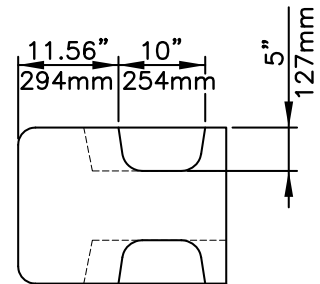
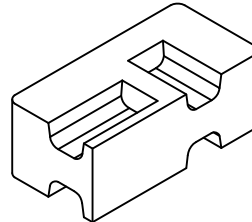
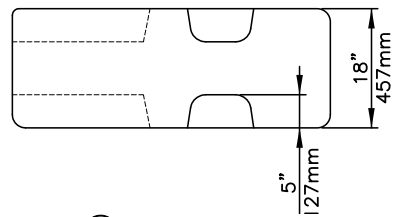
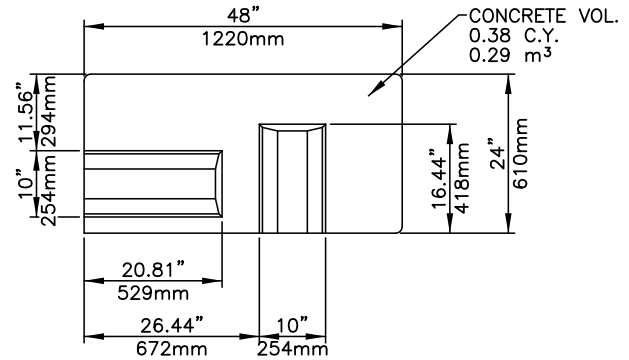
Block Wt.	950 lbs	430 kg
Form Wt.	1,500 lbs	680 kg
Concrete Volume	0.25 CY	0.19 m ³
Aggregate Infill	0.25 CY	0.19 m ³
(per face area)	0.07 tons/sf	700 kg/m ²



Block Wt.	840 lbs	380 kg
Form Wt.	1,580 lbs	715 kg
Concrete Volume	0.21 CY	0.16 m ³
Aggregate Infill (per face area)	0.16 CY 0.07 ton/sf	0.12 m ³ 700 kg/ m ²



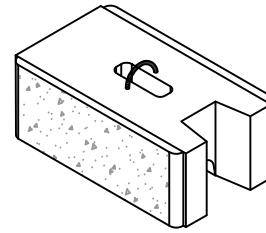
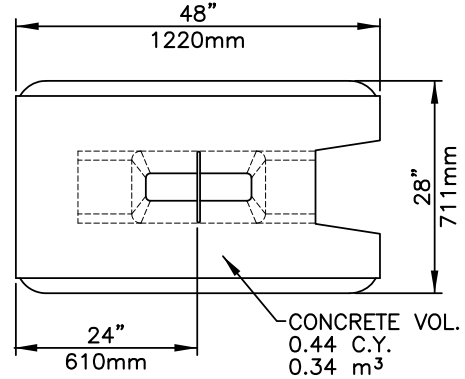
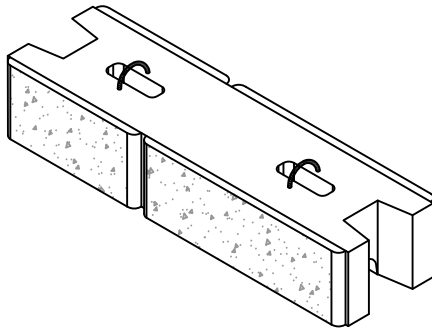
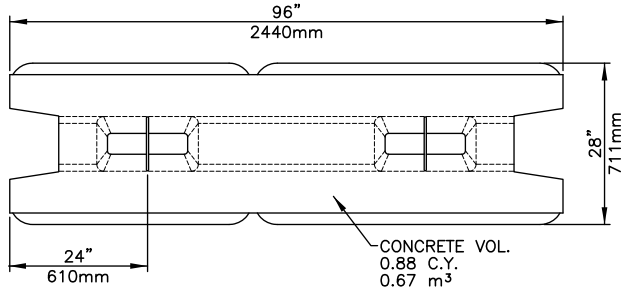
END UNIT



CORNER UNIT

Block Wt.	1,300 lbs	590 kg
Form Wt.	1,650 lbs	750 kg
Concrete Volume	0.33 CY	0.25 m³

Block Wt.	1,500 lbs	680 kg
Form Wt.	1,490 lbs	675 kg
Concrete Volume	0.38 CY	0.29 m³

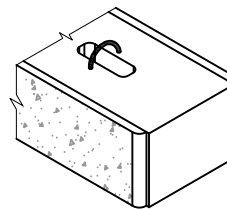
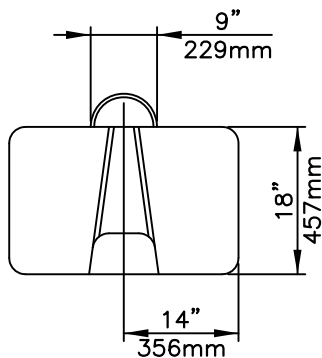


DUAL FACE UNIT

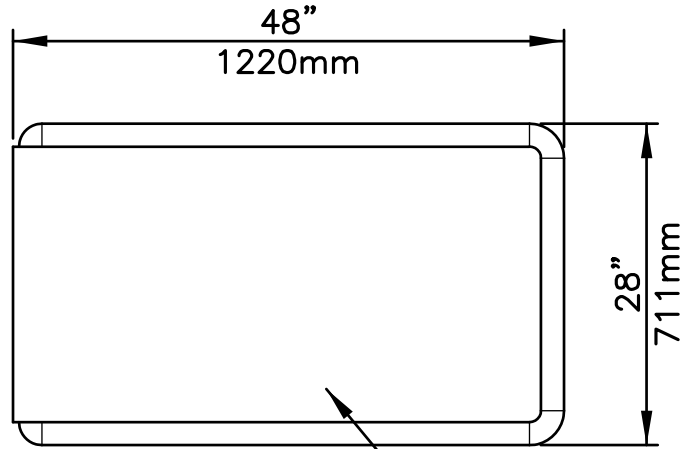
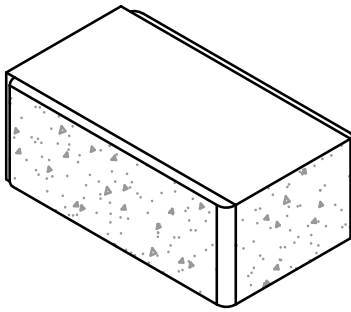
Block Wt.	3,520 lbs	1,595 kg
Form Wt.	2,430 lbs	1,100 kg
Concrete Volume	0.88 CY	0.67 m ³

DUAL FACE HALF UNIT

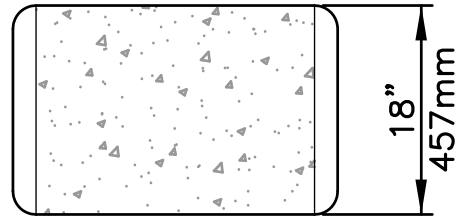
Block Wt.	1,760 lbs	800 kg
Form Wt.	2,430 lbs	1,100 kg
Concrete Volume	0.44 CY	0.34 m ³



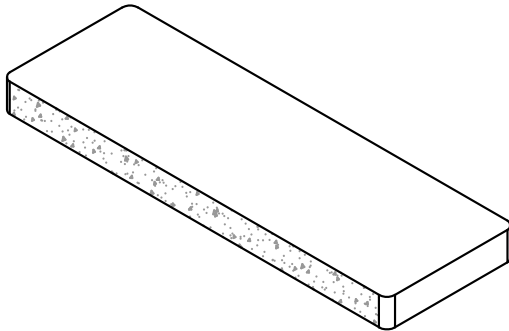
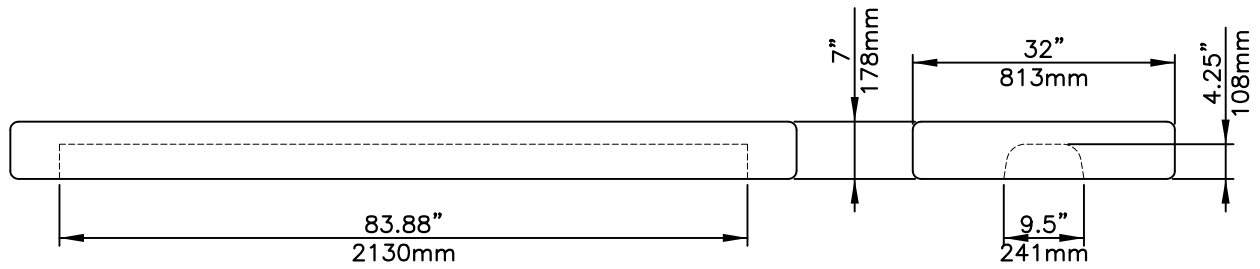
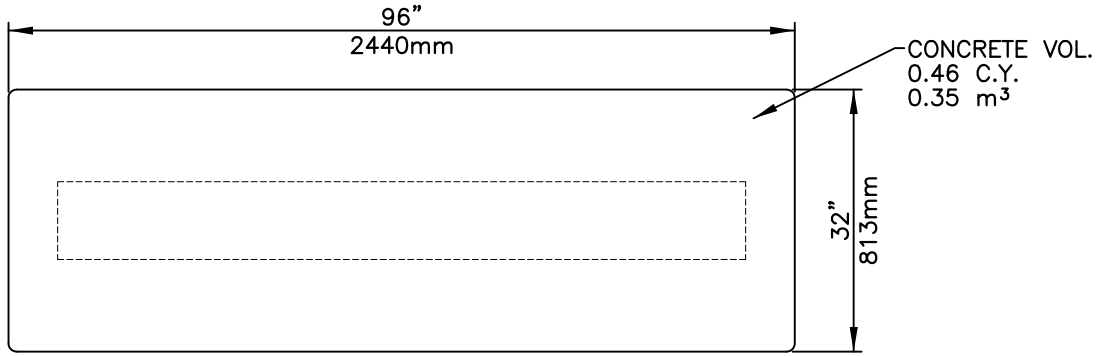
ALTERNATE FINISHED END


TOP VIEW

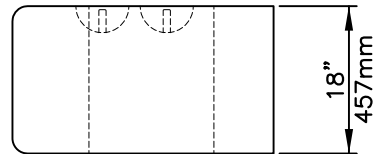
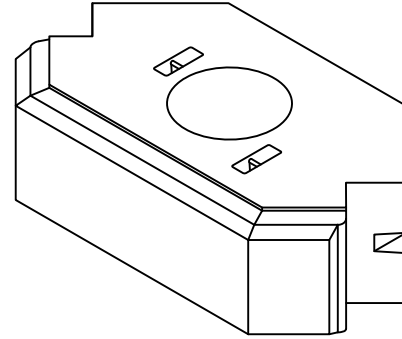
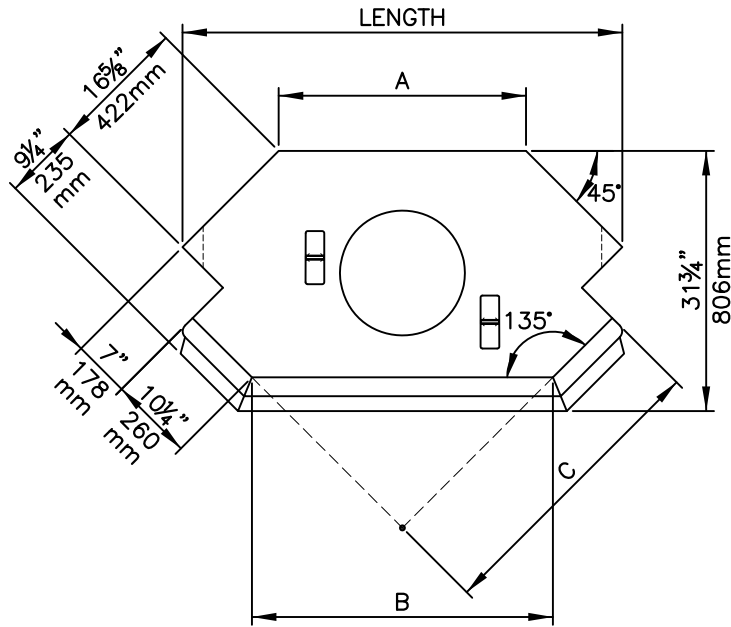
CONCRETE VOL.
0.53 C.Y.
0.41 m³


END VIEW

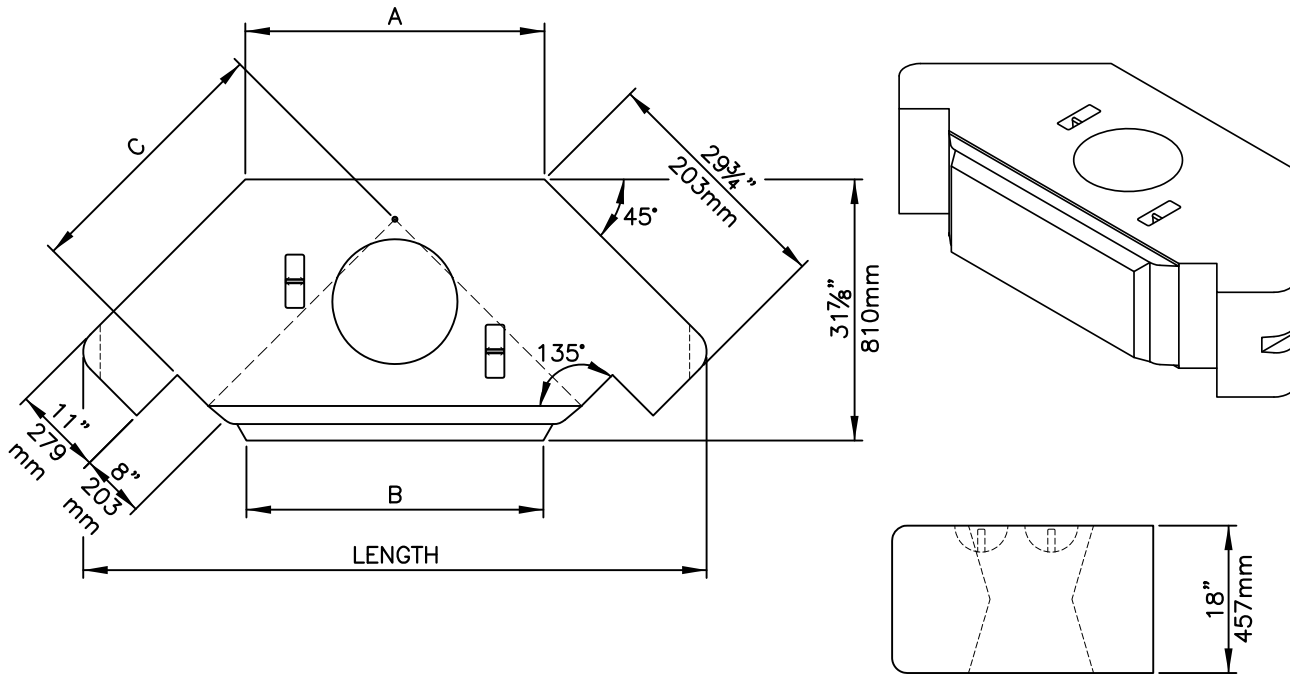
Block Wt.	2,150 lbs	975 kg
Form Wt.	1,889 lbs	857 kg
Concrete Volume	0.53 CY	0.41 m ³



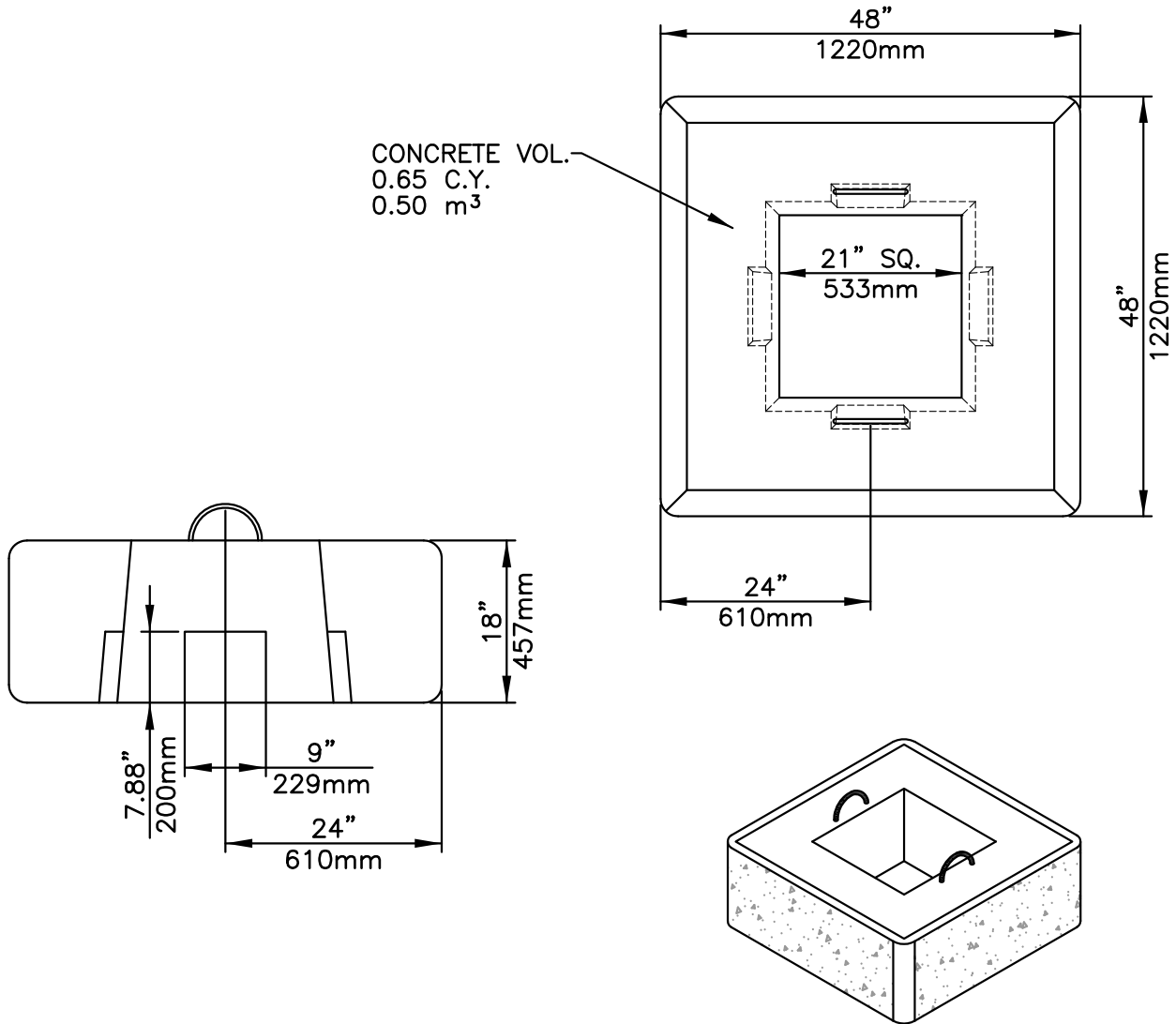
Block Wt.	1,800 lbs	815 kg
Form Wt.	1,425 lbs	645 kg
Concrete Volume	0.46 CY	0.35 m ³



Block #	Length	A	B	C	Block Weight
1	65 in 1652 mm	42 in 1054 mm	48 in 1221 mm	44 in 1124 mm	2600 lbs 1180 kg
2	59 in 1508 mm	36 in 910 mm	42 in 1077 mm	40 in 1022 mm	2330 lbs 1055 kg
3	56 in 1415 mm	30 in 767 mm	37 in 933 mm	36 in 920 mm	2050 lbs 930 kg
4	48 in 1221 mm	25 in 623 mm	31 in 790 mm	32 in 819 mm	1770 lbs 805 kg
5	42 in 1077 mm	19 in 479 mm	25 in 646 mm	28 in 717 mm	1500 lbs 680 kg
6	37 in 933 mm	13 in 336 mm	20 in 502 mm	24 in 616 mm	1220 lbs 555 kg



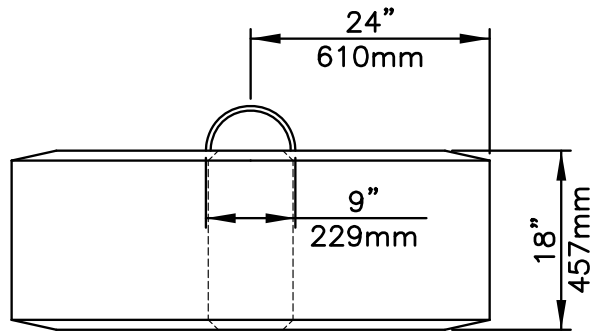
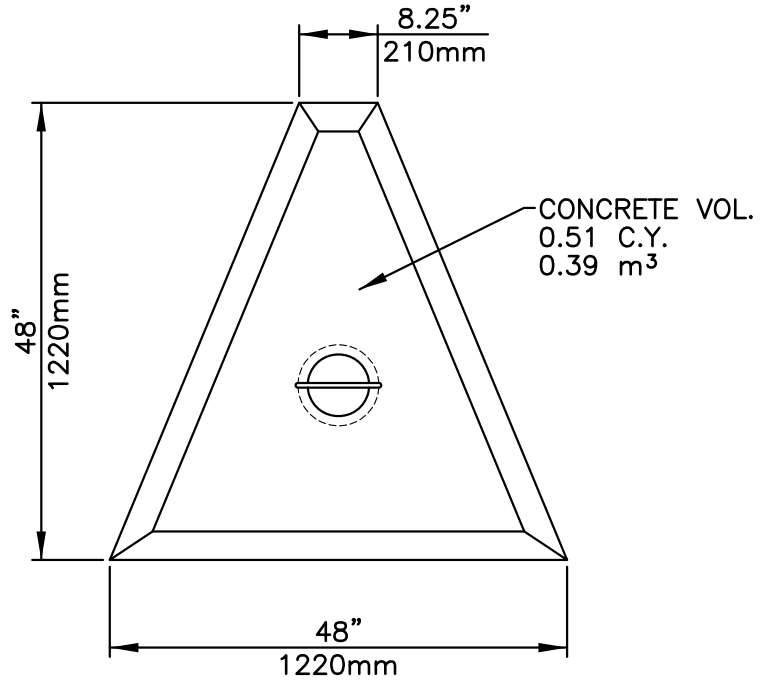
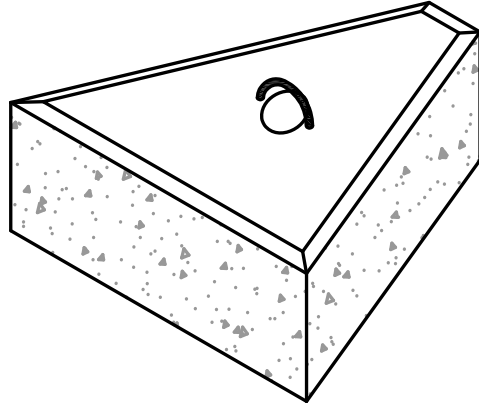
Block #	Length	A	B	C	Block Weight
1	65 in 1646 mm	25 in 641 mm	25 in 633 mm	19 in 485 mm	2070 lbs 940 kg
2	70 in 1790 mm	31 in 784 mm	31 in 777 mm	23 in 593 mm	2350 lbs 1065 kg
3	76 in 1934 mm	37 in 928 mm	36 in 921 mm	27 in 694 mm	2630 lbs 1195 kg
4	82 in 2077 mm	42 in 1072 mm	42 in 1064 mm	31 in 796 mm	2900 lbs 1315 kg
5	87 in 2221 mm	48 in 1215 mm	48 in 1208 mm	35 in 896 mm	3180 lbs 1445 kg
6	93 in 2365 mm	54 in 1359 mm	53 in 1352 mm	39 in 997 mm	3460 lbs 1570 kg



Block Wt.	2,600 lbs	1,180 kg
Form Wt.	2,455 lbs	1,115 kg
Concrete Volume	0.65 CY	0.50 m ³

SYSTEM COMPONENTS

45° CORNER BLOCK



Block Wt.	2,040 lbs	925 kg
Form Wt.	3,325 lbs	1,510 kg
Concrete Volume	0.51 CY	0.39 m ³