

RUST | ORLING
ARCHITECTURE

1215 CAMERON STREET
ALEXANDRIA, VA
22314

T - 703.836.3205
F - 703.548.4779
admin@rustorling.com
www.rustorling.com

CADENCE AT PARK

VIENNA, VIRGINIA

20.014

REVISIONS

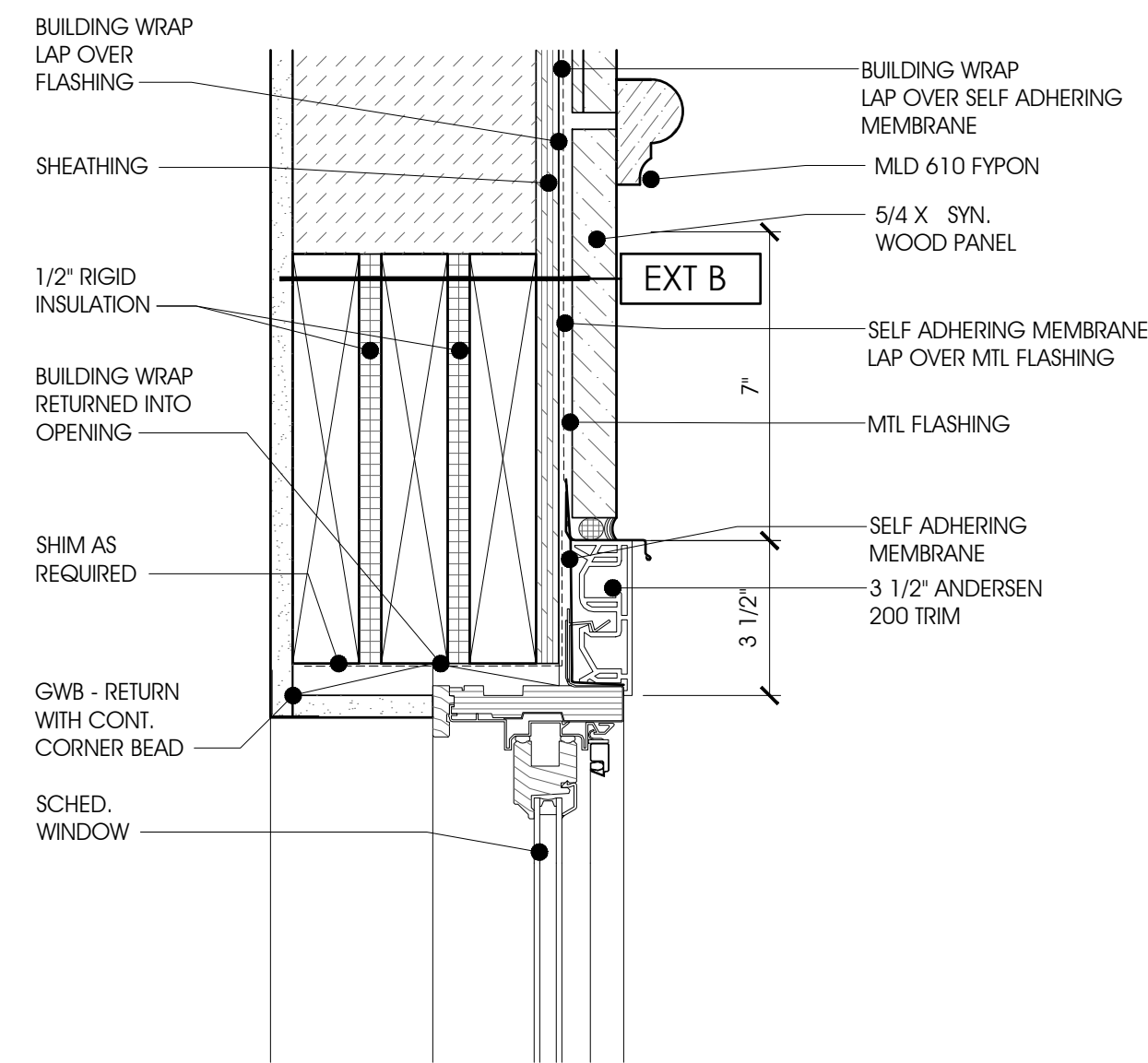
DATE	DESCRIPTION

FOR PERMIT
01.08.21

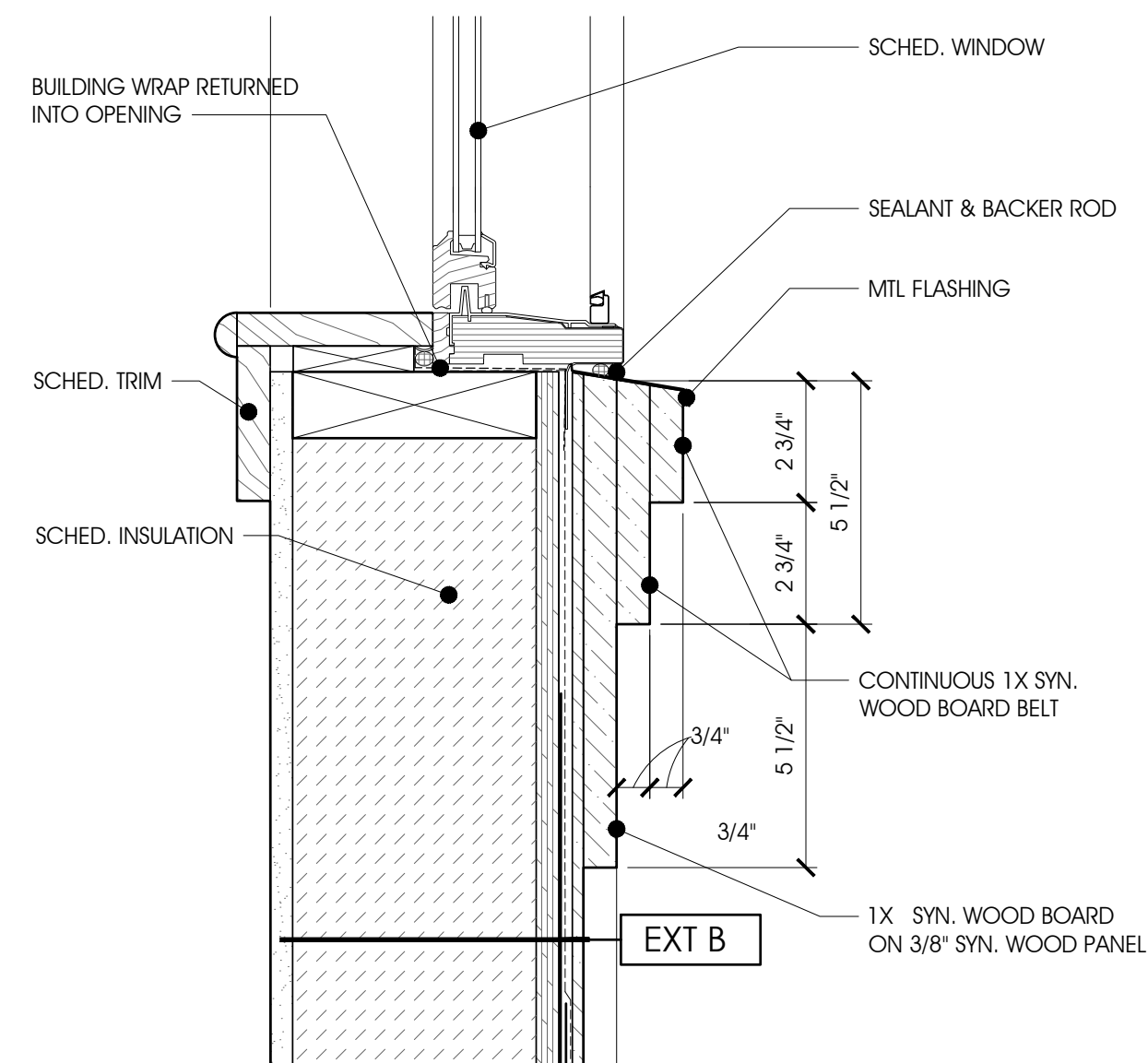
TYPE B UNIT BAY
DETAILS

SHEET NO.

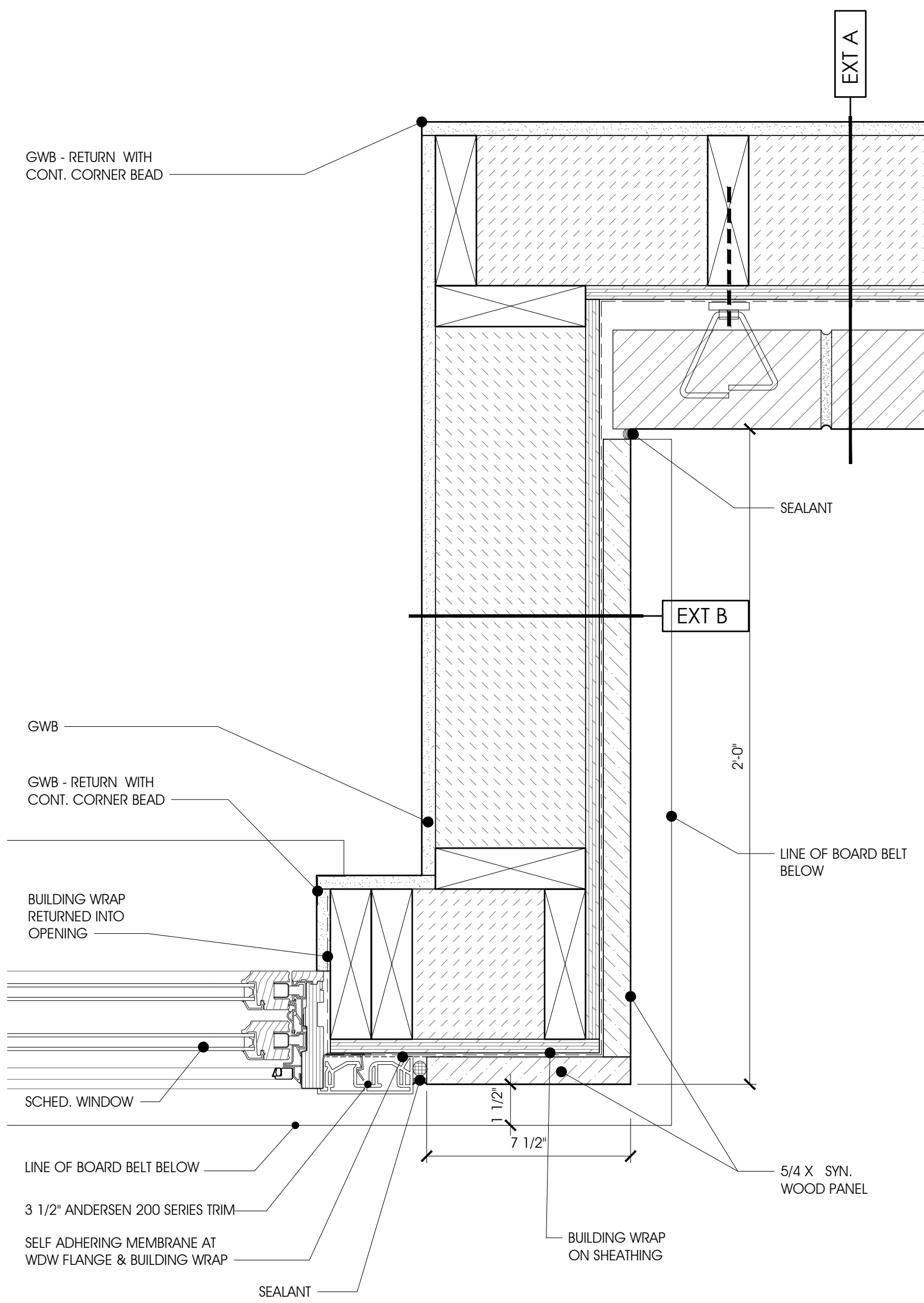
A521



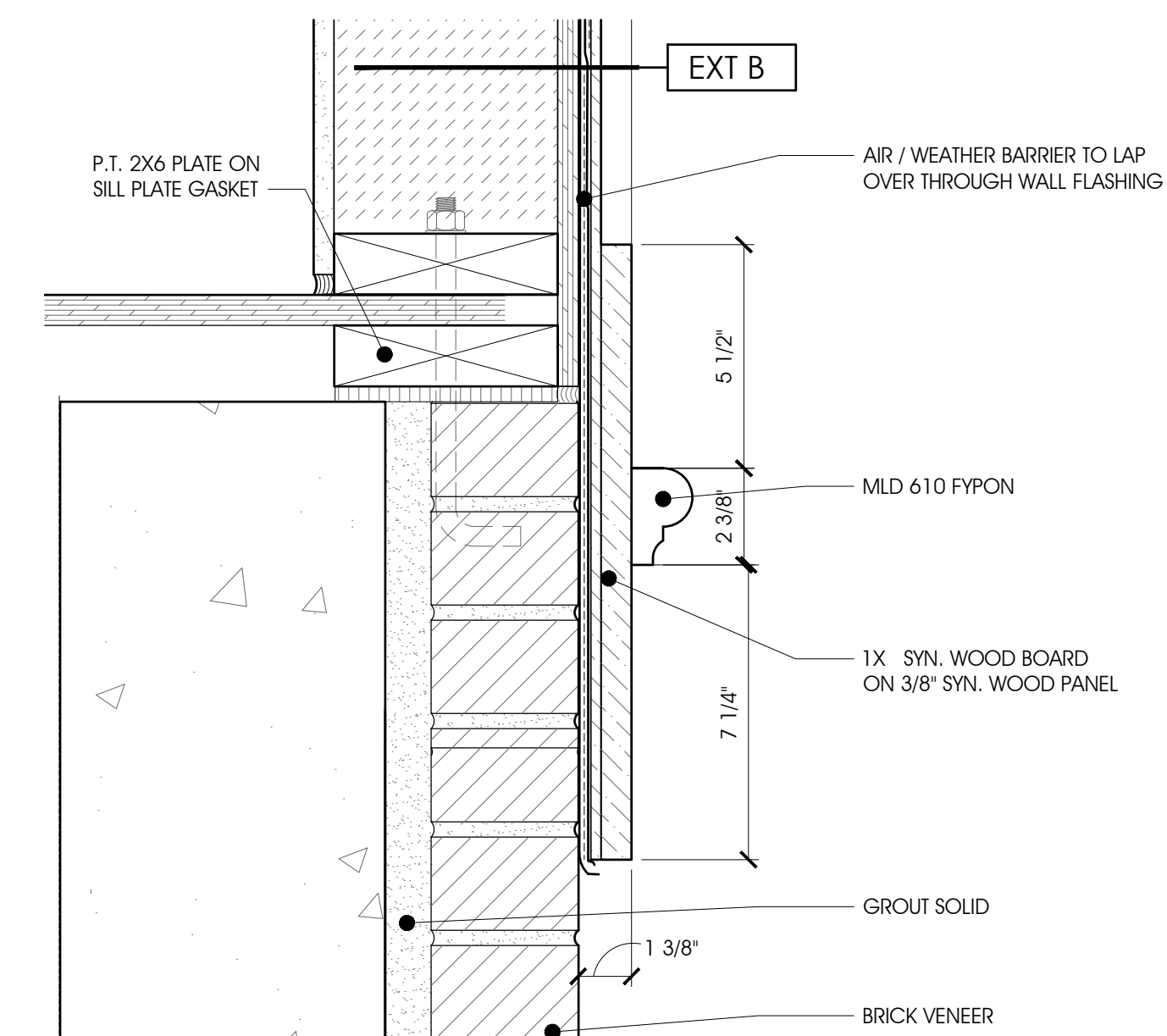
F WINDOW HEAD AT BAY DETAIL
3" = 1'-0"



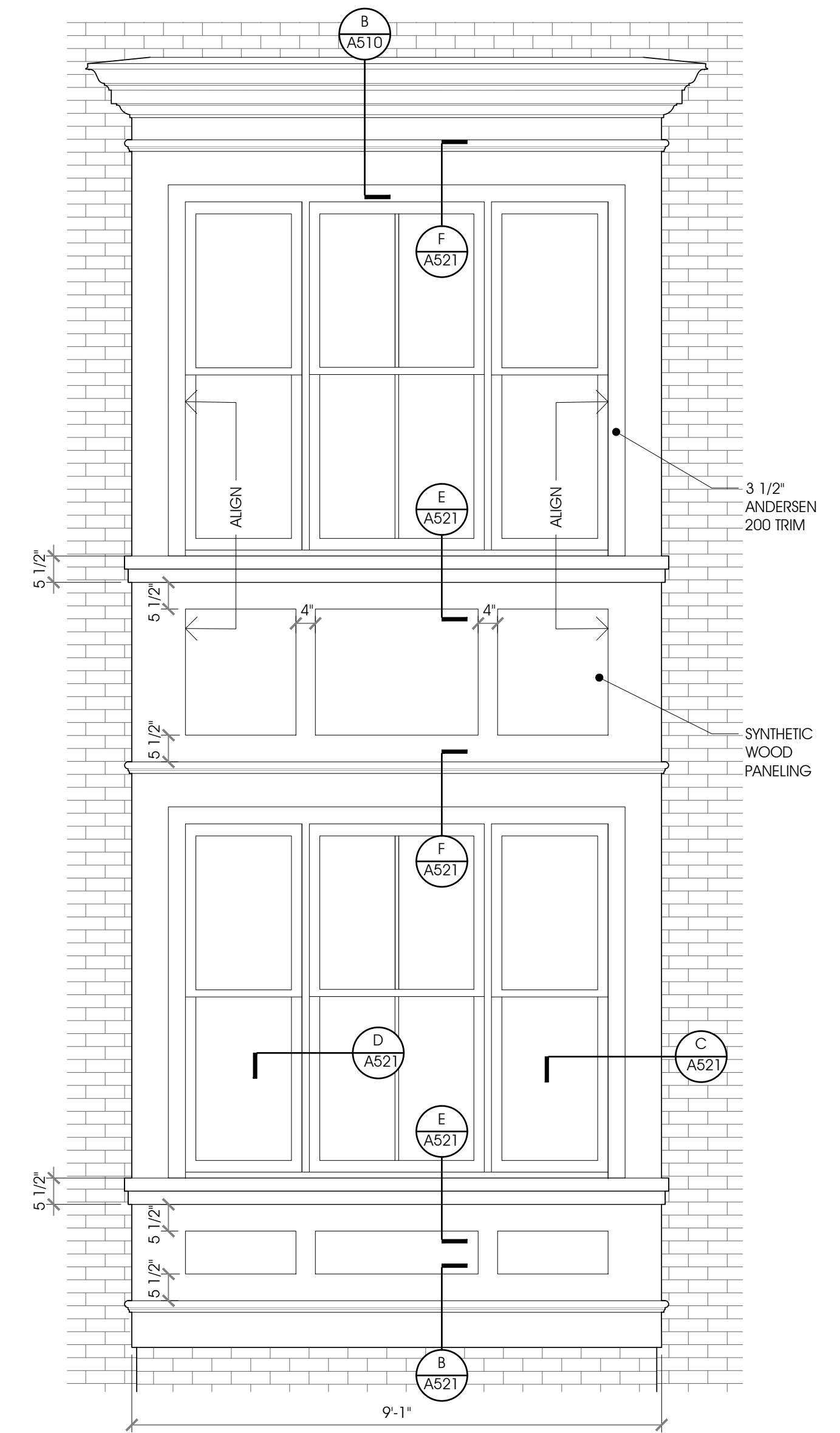
E WINDOW SILL AT BAY DETAIL
3" = 1'-0"



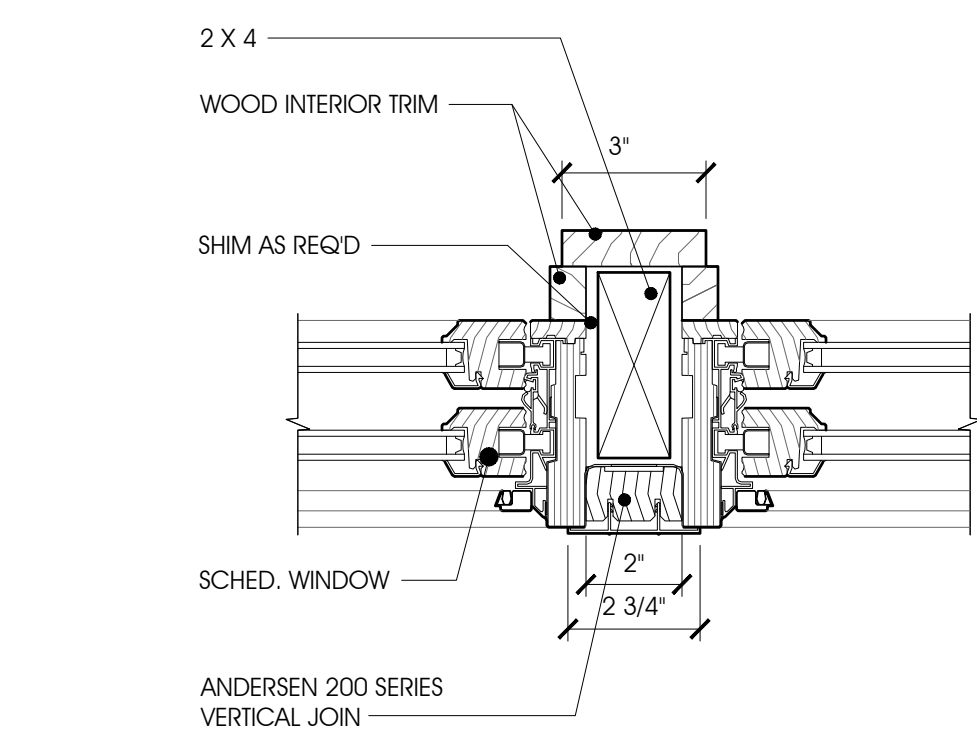
C BAY JAMB
3" = 1'-0"



B BAY TRANSITION DETAIL
3" = 1'-0"



A TYPE B UNIT BAY ELEVATION
1/2" = 1'-0"



D TYPICAL MULLION DETAIL
3" = 1'-0"