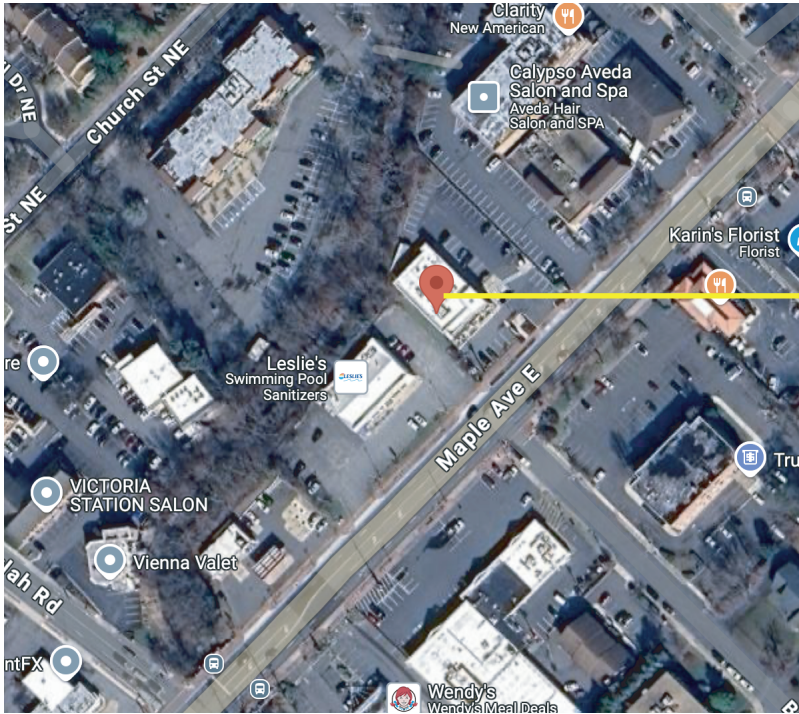


Sign location



NOTE: PRINTED COLORS ARE NOT AN EXACT MATCH FOR MATERIAL COLORS

Creation Sign LLC.
4230 Lafayette Center Dr.
Suite O & P
Chantilly VA 20151

This is an original design submitted by Creation Sign LLC for your personal use. It is not to be shown to anyone outside your firm, nor is it to be used, copied, reproduced, or exhibited to anyone. All or any part of this design (except registered trademarks) remain the property of Creation Sign LLC.

DRAWING # 250127AE-SI

Aroma Express

416 Maple Ave E.
Vienna VA 22180

Non-Illuminated Metal Letters on Fabricated Backboard -SIGN01

Sign Type: Outdoor Use

SIGN DETAIL-SIGN01

FRONTAGE = 22'-6"
 SQ.FT. = 33.75 sq.ft.
 SCALE: 3/8" = 1'-0"



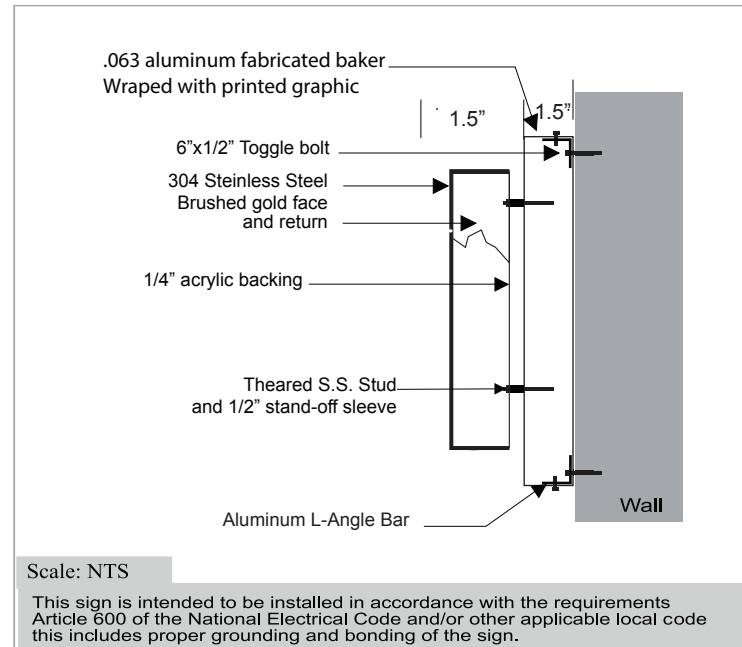
- Print and Wrapped Aluminum backer
- Brushed Gold finish Stainless Steel Face & Return

SIGN SPECS (materials & mounting details)



Store Front 22'-6"

13'-0"
 from ground
 to bottom of
 the sign



Scale: NTS

This sign is intended to be installed in accordance with the requirements Article 600 of the National Electrical Code and/or other applicable local code this includes proper grounding and bonding of the sign.

NOTE: PRINTED COLORS ARE NOT AN EXACT MATCH FOR MATERIAL COLORS

Creation Sign LLC.

4230 Lafayette Center Dr.
 Suite O & P
 Chantilly VA 20151

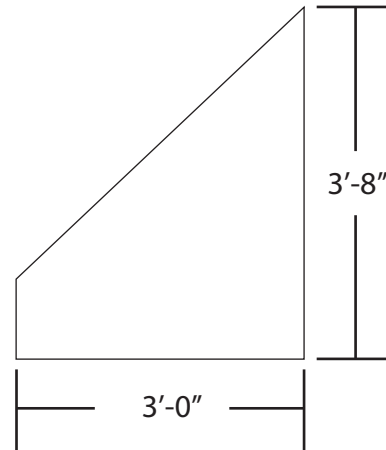
This is an original design submitted by Creation Sign LLC for your personal use. It is not to be shown to anyone outside your firm, nor is it to be used, copied reproduced, or exhibited to anyone. All or any part of this design (except registered trademarks) remain the property of Creation Sign LLC.

DRAWING # 250127AE-SI

Aroma Express

416 Maple Ave E.
 Vienna VA 22180

Awning Fabric replacement SIGN02



■ Sunbrella Awning
Color: Marine Blue

■ SW 6396

NOTE: PRINTED COLORS ARE NOT AN EXACT MATCH FOR MATERIAL COLORS

Creation Sign LLC.

4230 Lafayette Center Dr.
Suite O & P
Chantilly VA 20151

This is an original design submitted by Creation Sign LLC for your personal use. It is not to be shown to anyone outside your firm, nor is it to be used, copied, reproduced, or exhibited to anyone. All or any part of this design (except registered trademarks) remain the property of Creation Sign LLC.

DRAWING # 250127AE-SI

Aroma Express

416 Maple Ave E.
Vienna VA 22180

Monumnet sign face replacement- SIGN03

Proposed



Existing



NOTE: PRINTED COLORS ARE NOT AN EXACT MATCH FOR MATERIAL COLORS

Creation Sign LLC.

4230 Lafayette Center Dr.
Suite O & P
Chantilly VA 20151

This is an original design submitted by Creation Sign LLC for your personal use. It is not to be shown to anyone outside your firm, nor is it to be used, copied, reproduced, or exhibited to anyone. All or any part of this design (except registered trademarks) remain the property of Creation Sign LLC.

DRAWING # 250127AE-SI

Aroma Express

416 Maple Ave E.
Vienna VA 22180

Proposed



Existing



NOTE: PRINTED COLORS ARE NOT AN EXACT MATCH FOR MATERIAL COLORS

Creation Sign LLC.

4230 Lafayette Center Dr.
Suite O & P
Chantilly VA 20151

This is an original design submitted by Creation Sign LLC for your personal use. It is not to be shown to anyone outside your firm, nor is it to be used, copied reproduced, or exhibited to anyone. All or any part of this design (except registered trademarks) remain the property of Creation Sign LLC.

DRAWING # 250127AE-SI

Aroma Express

416 Maple Ave E.
Vienna VA 22180