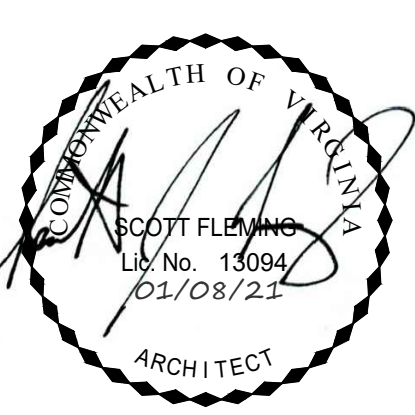


WINDOW SCHEDULE								
MARK	TYPE	MANUFACTURER	SERIES	FRAME	MATERIAL	ROUGH OPENING (W x H)	FRAME SIZE (W x H)	REMARKS
A1	SINGLE HUNG	ANDERSEN	200 SERIES	WOOD/VINYL	WOOD/VINYL	3'-0" x 6'-0"	2'-11 1/2" x 5'-11 1/2"	-
A2	SINGLE HUNG	ANDERSEN	200 SERIES	WOOD/VINYL	WOOD/VINYL	3'-0" x 5'-10 1/2"	2'-11 1/2" x 5'-10"	CUSTOM WINDOW
B	SINGLE HUNG	ANDERSEN	200 SERIES	WOOD/VINYL	WOOD/VINYL	6'-1 1/2" x 6'-0"	(2) 2'-11 1/2" x 5'-11 1/2"	-
C1	SINGLE HUNG	ANDERSEN	200 SERIES	WOOD/VINYL	WOOD/VINYL	7'-3" x 6'-0"	2'-11 1/2" x 5'-11 1/2" + (2) 1'-11 1/2" x 5'-11 1/2"	-
C2	SINGLE HUNG	ANDERSEN	200 SERIES	WOOD/VINYL	WOOD/VINYL	7'-3" x 5'-10 1/2"	2'-11 1/2" x 5'-10" + (2) 1'-11 1/2" x 5'-10"	CUSTOM WINDOW
D	SINGLE HUNG	ANDERSEN	200 SERIES	WOOD/VINYL	WOOD/VINYL	3'-0" x 5'-0"	2'-11 1/2" x 4'-11 1/2"	-
E	SINGLE HUNG	ANDERSEN	200 SERIES	WOOD/VINYL	WOOD/VINYL	6'-1 1/2" x 4'-9"	(2) 2'-11 1/2" x 4'-8 1/2"	-
F	CASEMENT	ANDERSEN	200 SERIES	WOOD/VINYL	WOOD/VINYL	5'-1 1/2" x 4'-6"	(2) 2'-5 1/2" x 4'-5 1/2"	-
G	SINGLE HUNG	ANDERSEN	200 SERIES	WOOD/VINYL	WOOD/VINYL	2'-0" x 4'-0"	1'-11 1/2" x 3'-11 1/2"	-

SEE SHEETS A210 THRU A230 FOR ROUGH OPENING HEAD LOCATION FROM F.F.  
 PROVIDE SAFETY GLAZING WHERE REQ'D BY CODE. REFER TO SAFETY GLAZING REQUIREMENTS IN SPEC ON A040.



**RUST | ORLING**  
ARCHITECTURE

1215 CAMERON STREET  
ALEXANDRIA, VA  
22314

T - 703.836.3205  
F - 703.548.4779  
admin@rustorling.com  
www.rustorling.com

**CADENCE AT PARK**  
VIENNA, VIRGINIA

20.014

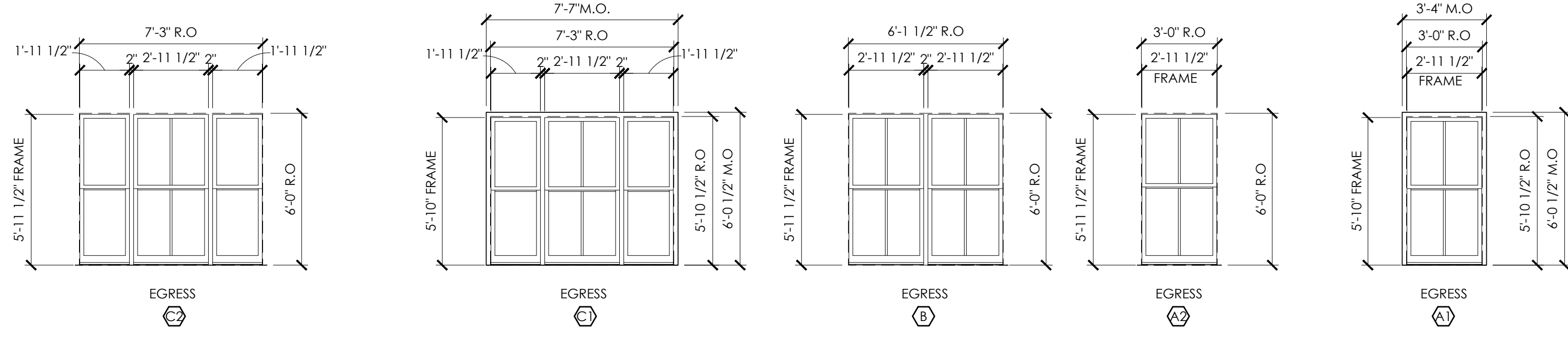
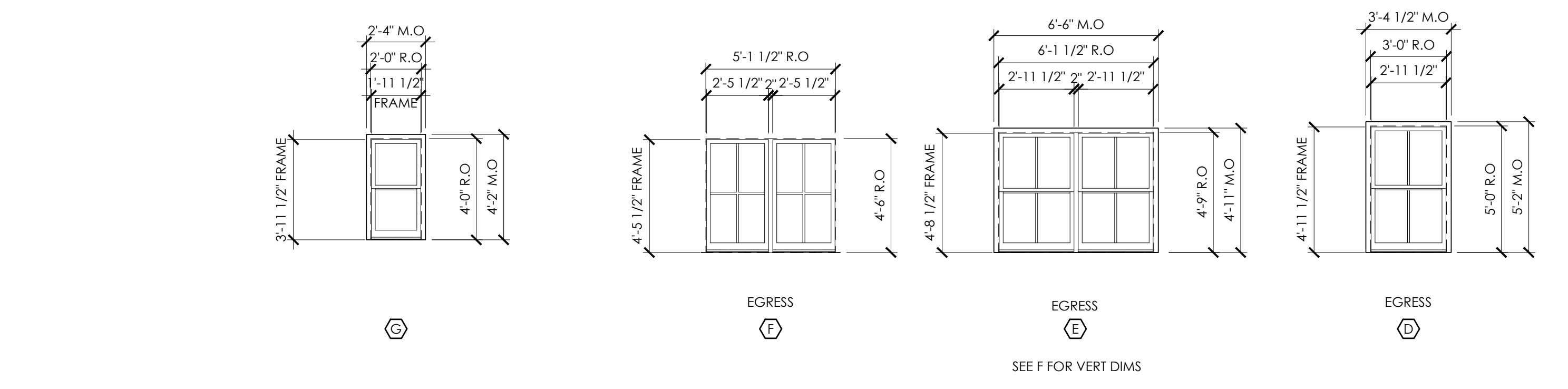
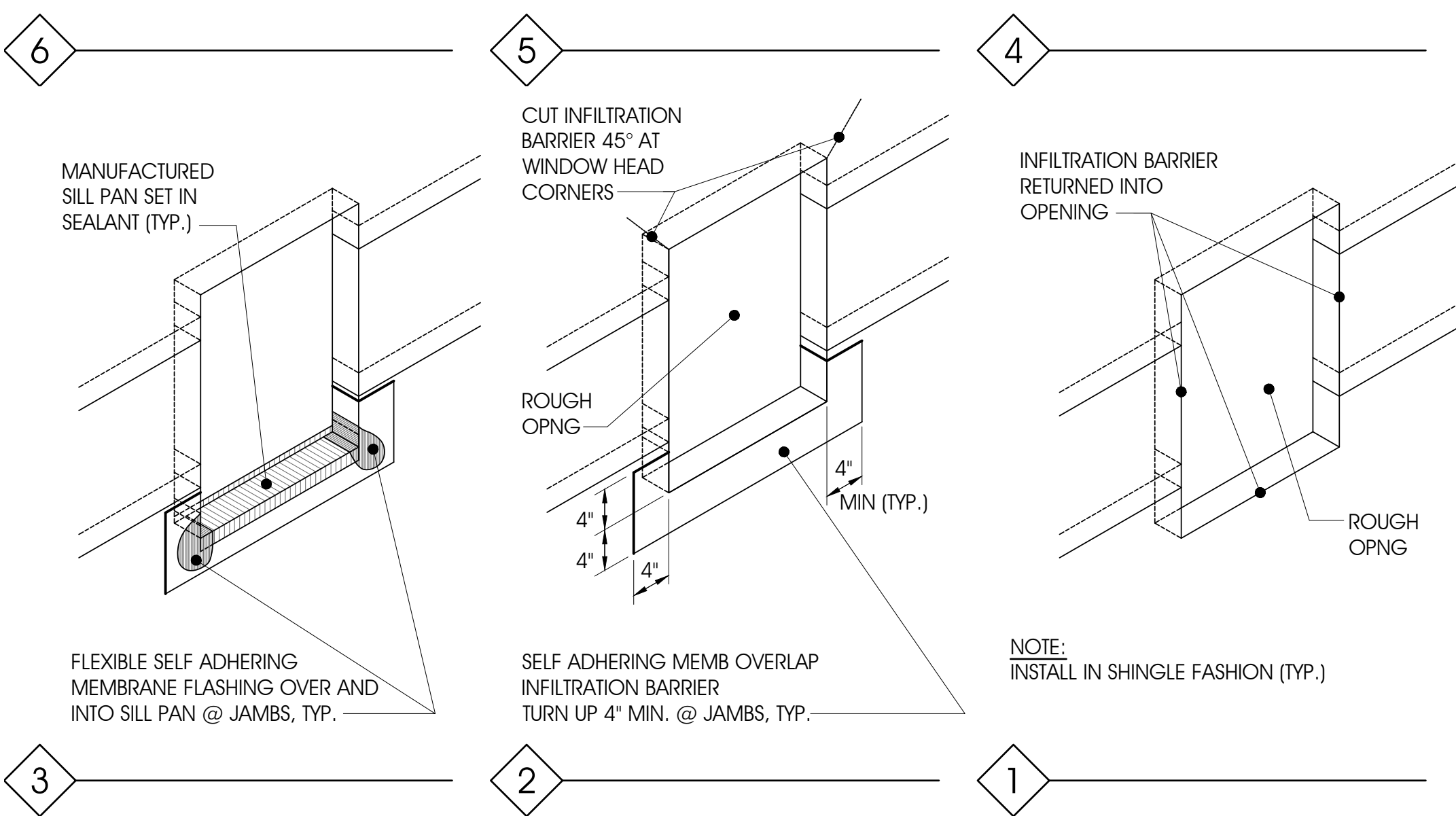
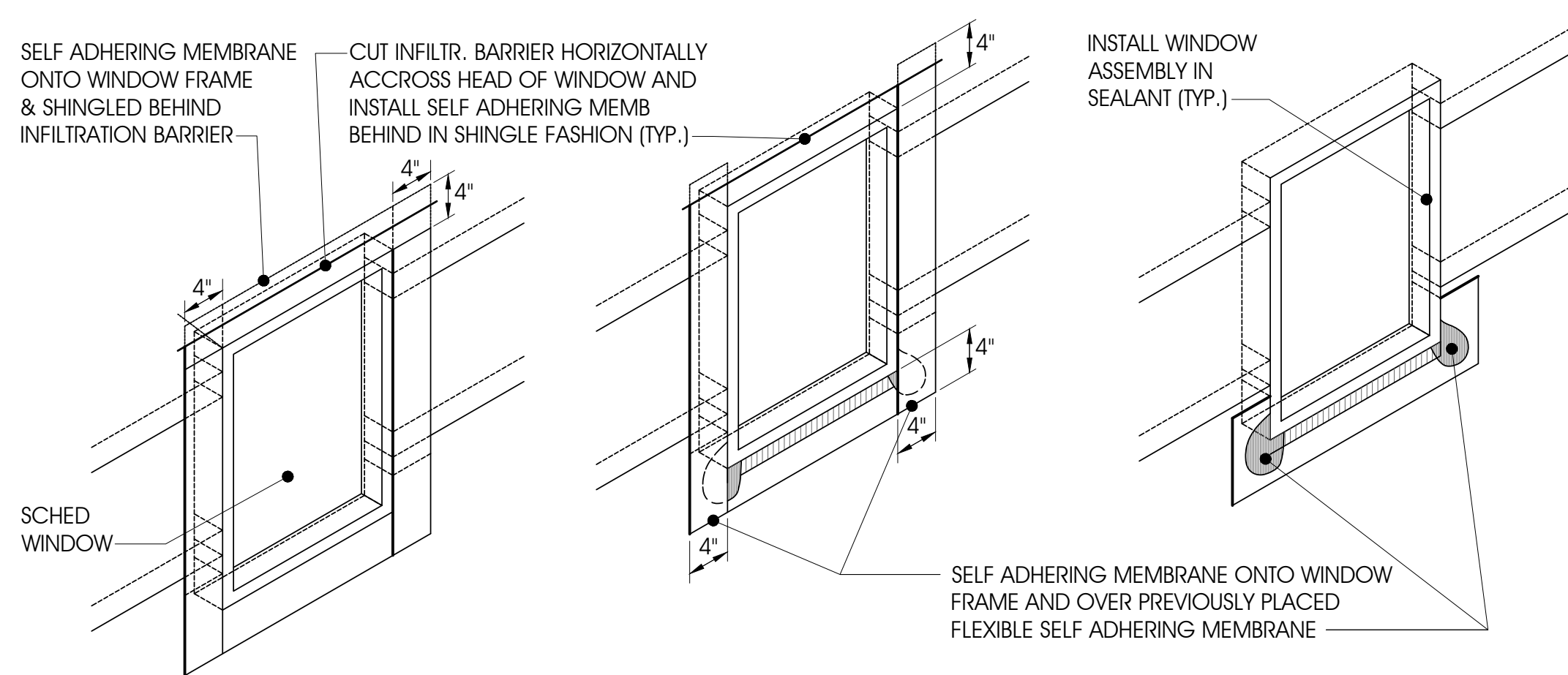
REVISIONS	
DATE	DESCRIPTION

FOR PERMIT  
01.08.21

WINDOW  
SCHEDULE

SHEET NO.

**A240**



WINDOW FLASHING INSTALLATION DETAILS

1/4"=1'-0"

WINDOW TYPES

1/4"=1'-0"

D:\DRAWING\BIM\BIM\020\020\0001 & Cadence at Park\DWG\2021\_14\_04\_01\_15:03:01.rvt - 11/08/2021 15:03:01 PM - Version: 1.0 - Copyright (c) 2021 Rustorling Architecture