

FASTENING SYSTEMS AND CORRESPONDING SUBSTRATES

	LAG BOLTS	LAG BOLTS AND SHIELDS	TAPCON'S DRIVE PINS	TEC-SCREWS	THRU BOLTS
BRICK	✓	✓			✓
BLOCK			✓		✓
EFIS / PLYWOOD BACKING	✓			✓	✓
METAL STUDS				✓	✓
EFIS W/ METAL STUDS				✓	✓
PLYWOOD	✓			✓	✓

Attachment 03

Job Description

Illuminated Push-Through Cabinet Sign

Additional Specs

MATERIALS:
 2" Fabricated .063 ALUM. Cabinet
 1/2" Clear Acrylic Push-Through Letters w/ Translucent Vinyl Graphics Applied

ILLUM: UL Listed and Approved White LED'S Connected to 120v Waterproof Power Supply

INSTALLATION:
 See Fastening Systems Chart

SIGN DETAILS:
 13.875 sqft.
 Qty. 1

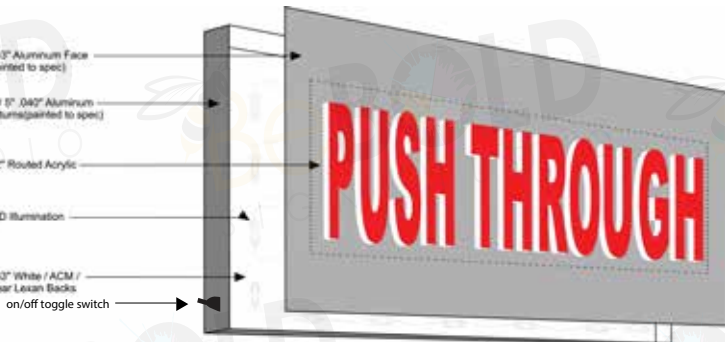
WINDOWS:
 Vinyl or Paint TBD

SIGNAGE EXAMPLE:



Color Specifications

- White
- PMS 534 C



PROJECT ADDRESS

Clarity Restaurant
 442 Maple Ave E,
 Vienna, VA 22180
 US

JOB #

4117

PAGE NUMBER

01 / 02

CONTACT PERSON

Mackenzie Ryan
 mack@copperwoodtavern.com

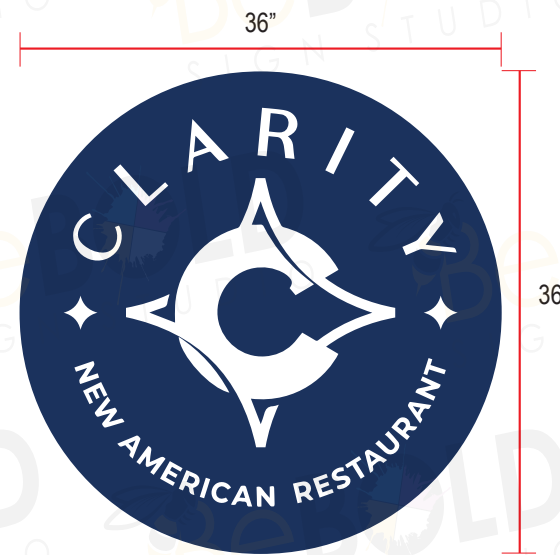
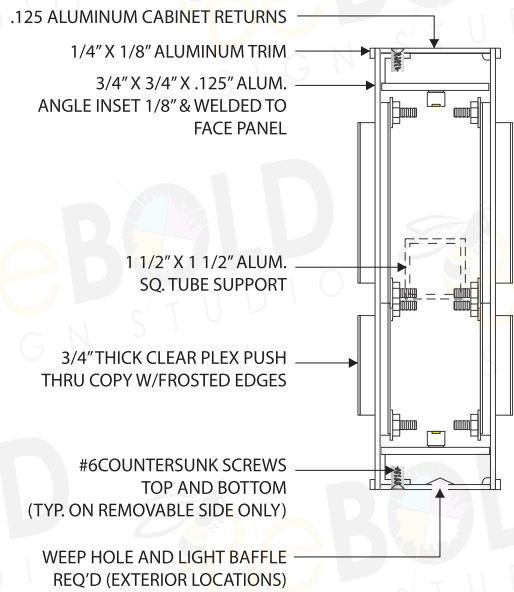
DESIGN & REVISION DATE

0	10	△	23	△	24
1	01	△	23	△	25
2		△		△	

DESIGN APPROVED BY

DATE: _____
 NAME: _____
 SIGNATURE: _____





Job Description

Illuminated Push-Through Blade Sign

Additional Specs

MATERIALS:
 Face: 3/4" .125 Alum. Face w/ 3/4" Thick Clear Plex Push Thru Letters w/ Frosted Edges

Returns: .125 Aluminum Cabinet

ILLUM.: UL Listed and Approved White LED'S Connected to 120v Waterproof Power Supply

INSTALLATION:
 Mounting Arm and Plate To be Bolted to Fascia

SIGN DETAILS:
 9 sqft.
 Qty. 1

SIGNAGE EXAMPLE:



Color Specifications

- White
- PMS 534 C



PROJECT ADDRESS

Clarity Restaurant
 442 Maple Ave E,
 Vienna, VA 22180
 US

JOB

4117

PAGE NUMBER

02 / 02

CONTACT PERSON

Mackenzie Ryan
 mack@copperwoodtavern.com

DESIGN & REVISION DATE

0	10	△	23	△	24
1	01	△	23	△	25
2		△		△	

DESIGN APPROVED BY

DATE: _____
 NAME: _____
 SIGNATURE: _____



PLEASE READ PROOF CAREFULLY, ONCE APPROVED BEBOLD SIGN STUDIO WILL NOT BE FINANCIALLY RESPONSIBLE FOR MISSPELLING OR INCORRECT LAYOUTS. Signs shown on photos may not represent actual size and proportion to building. This sign is intended to be installed in accordance with the requirements of Article 600 of the National Electrical Code and/or other applicable local codes. This includes proper grounding and bonding of sign.