

**CONCEPT QTY1 - SINGLE SIDED**

Front-lit Aluminum channel letters  
Mounted on Wall (Roadside)

**Data sheet:**

**Dimensions:** 1.61' x 1.53' / 7.34' x 1.03'  
5.41' x 0.8'

**Characteristics:**

**Materials:** 3mm ACM backs, 4.3" Aluminum return 0.40

**Acrylic:** 3/16" WHITE acrylic for the channel letters

"MASHAHWEEZ, SHAWARMA & GRILL"

Logo white acrylic with full color printing.

Trimcap black "

**Electric power:** WHITE Hanley LED 12v, 0.8w 3000k-150L.

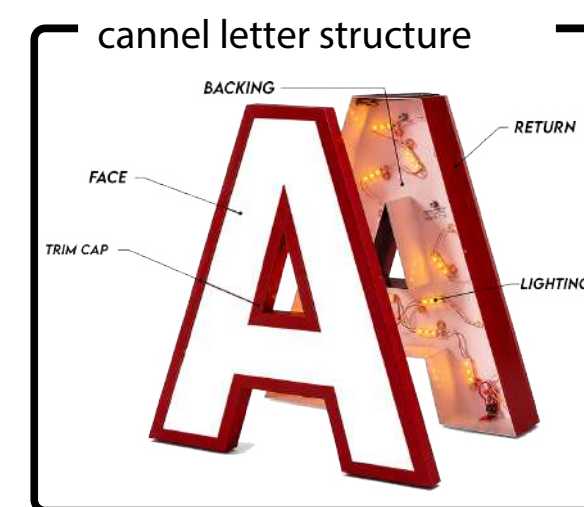
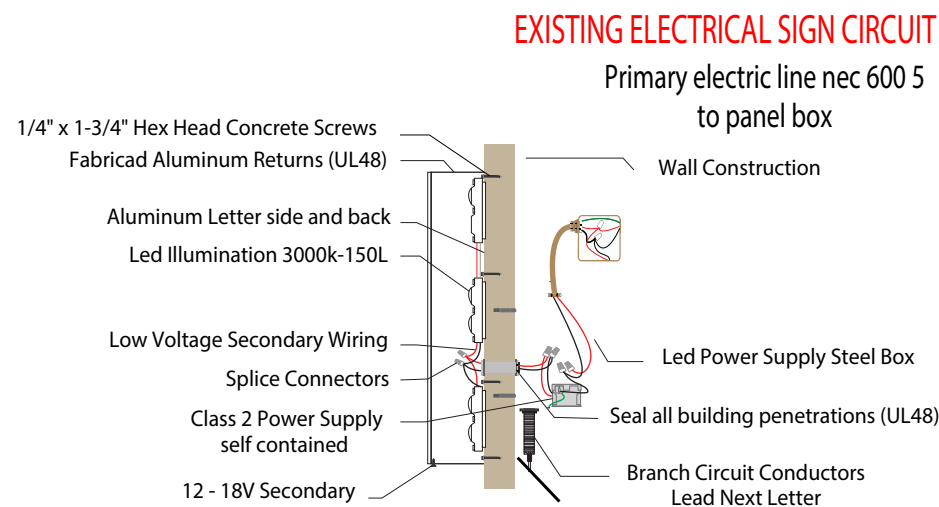
**Transformer:**

110V to 12V, 100W, waterproof located inside

**Anchorage:** Anchor screw, for concrete/bricks

**Sign Fabricator:** RB Signs

**UL Certification Number:** E172619



ACTUAL VIEW OF STORE



PROPOSAL



#6A1319

#E50F2F

#E8DDCB

#FFFFFF

#F28C37

**PAGES:**

1 of 2

**DATE:**

09/06/26

**REVISION DATE**

**JOB LOCATION:**

126 Maple Ave W, Vienna, VA 20180

**CONTACT:**

Marvin Martinez

**DRAWING:**

Roadside Sign

**DESIGNER:**

**UL** Underwriters Laboratories Inc.® LISTED ELECTRONIC SIGN COMPLIES TO UL 48

Add a power supply box behind the wall and connect to the on/of switch. Acces to power is available behind the wall. ADS to connected to existing power.

**ARTICLE 600**

OF THE NATIONAL ELECTRICAL CODE AN OTHER APPLICABLE LOCAL CODES THIS INCLU PROPERGROUNDING AND BONDING OF THIS

THE CONTENTS OF THIS DRAWING AND ELEMENTS ARE NOT TO BE REPRODUC CHANGED, OR EXHIBITED TO ANYO OUTSIDE OF YOUR COMPANY IN WHOR IN PART WITHOUT WRITTEN PERMISSI ALL SUCH ACTIONS ARE PROHIBITED BY L

© 2018 ALL RIGHTS RESERVED

ALL ELECTRICAL SIGNS ARE 120 VOLTS UNLESS OTHER WISE IND

This signs is constructed to be suilable the following environmental condition

APPROVED BY & DATE



This drawing must be returned, signed, and approved by tenant and landlord. Any delay will continue in delayed production time. We DO NOT assume any responsibility for errors in drawings throughly to insure that all spelling is correct and that the artwork is accurate and correctly positioned.



703-755-0095  
districtsign.com  
districtsignsllc@gmail.com  
201 Davis Dr. Ste N,  
Sterling, VA 20164



**CONCEPT QTY1 - SINGLE SIDED**

Non-Lit Aluminum Channel Letters  
 Mounted on wall (Parking Lot side))

**Data sheet:**

**Dimensions:** 1.61' x 1.53' / 7.34' x 1.03'  
 5.41' x 0.8'

**Characteristics:**

**Materials:** 3mm ACM backs , 4.3" Aluminum return 0.40

**Acrylic:** 3/16" WHITE acrylic for the channel letters

"MASHAHWEEZ, SHAWARMA & GRILL"

Logo white acrylic with full color printing.

Trimcap black "

**Electric power:**

**Transformer:**

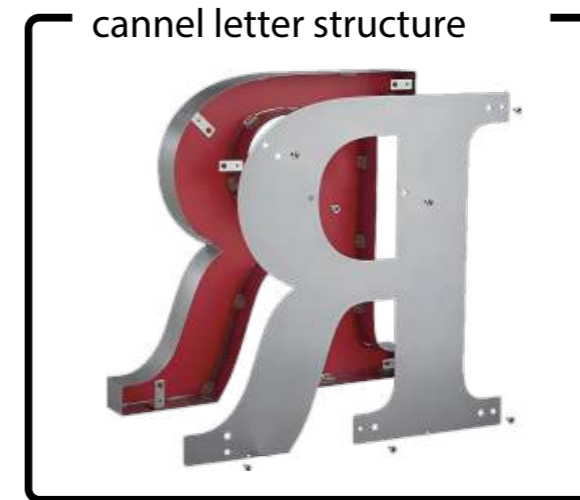
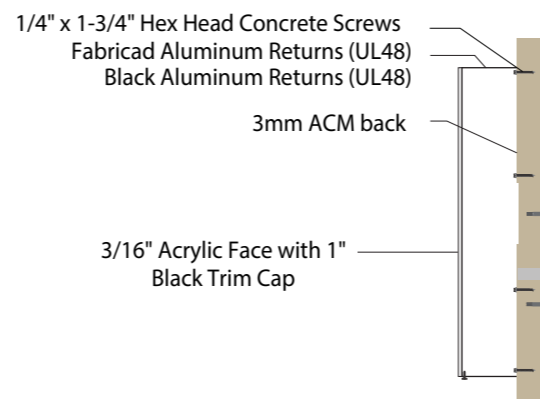
**Anchorage:** Anchor screw, for concrete/bricks

**Sign Fabricator:** RB Signs

**UL Certification Number:** E172619



**SIGN DRAWING DETAILS**



ACTUAL VIEW OF STORE



PROPOSAL



#6A1319

#E50F2F

#E8DDCB

#FFFFFF

#F28C37

**PAGES:**

2 of 2

**DATE:**

09/06/26

**REVISION DATE**

**JOB LOCATION:**

126 Maple Ave W, Vienna, VA 20180

**CONTACT:**

Marvin Martinez

**DRAWING:**

Parking Lot Sign

**DESIGNER:**

Underwriters Laboratories Inc.  
 LISTED  
 ELECTRONIC SIGN  
 COMPLIES TO UL 48

Add a power supply box behind the wall and connect to the on/of switch. Acces to power is available behind the wall. ADS to connected to existing power.

**ARTICLE 600**

OF THE NATIONAL ELECTRICAL CODE AN OTHER APPLICABLE LOCAL CODES THIS INCLU PROPERGROUNDING AND BONDING OF THIS

THE CONTENTS OF THIS DRAWING AND ELEMENTS ARE NOT TO BE REPRODUC CHANGED, OR EXHIBITED TO ANYO OUTSIDE OF YOUR COMPANY IN WHOR IN PART WITHOUT WRITTEN PERMISSI ALL SUCH ACTIONS ARE PROHIBITED BY L

© 2018 ALL RIGHTS RESERVED  
 ALL ELECTRICAL SIGNS ARE 120 VOLTS UNLESS OTHER WISE IND

This signs is constructed to be suilable the following environmental condition

**APPROVED BY & DATE**



This drawing must be returned, signed, and approved by tenant and landlord. Any delay will continue in delayed production time. We DO NOT assume any responsibility for errors in drawings throughly to insure that all spelling is correct and that the artwork is accurate and correctly positioned.



703-755-0095  
 districtsign.com  
 districtsignsllc@gmail.com  
 201 Davis Dr. Ste N,  
 Sterling, VA 20164

