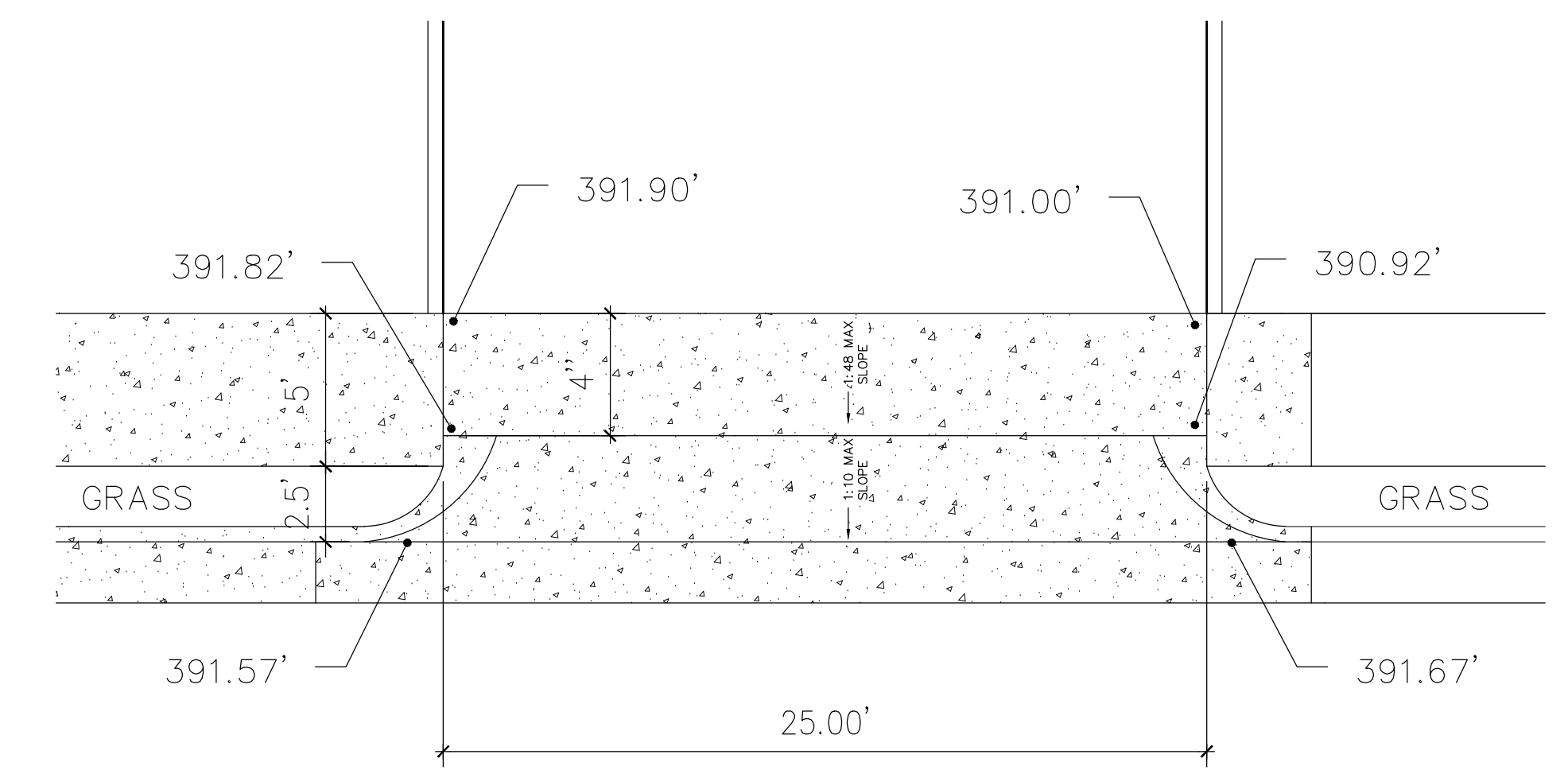
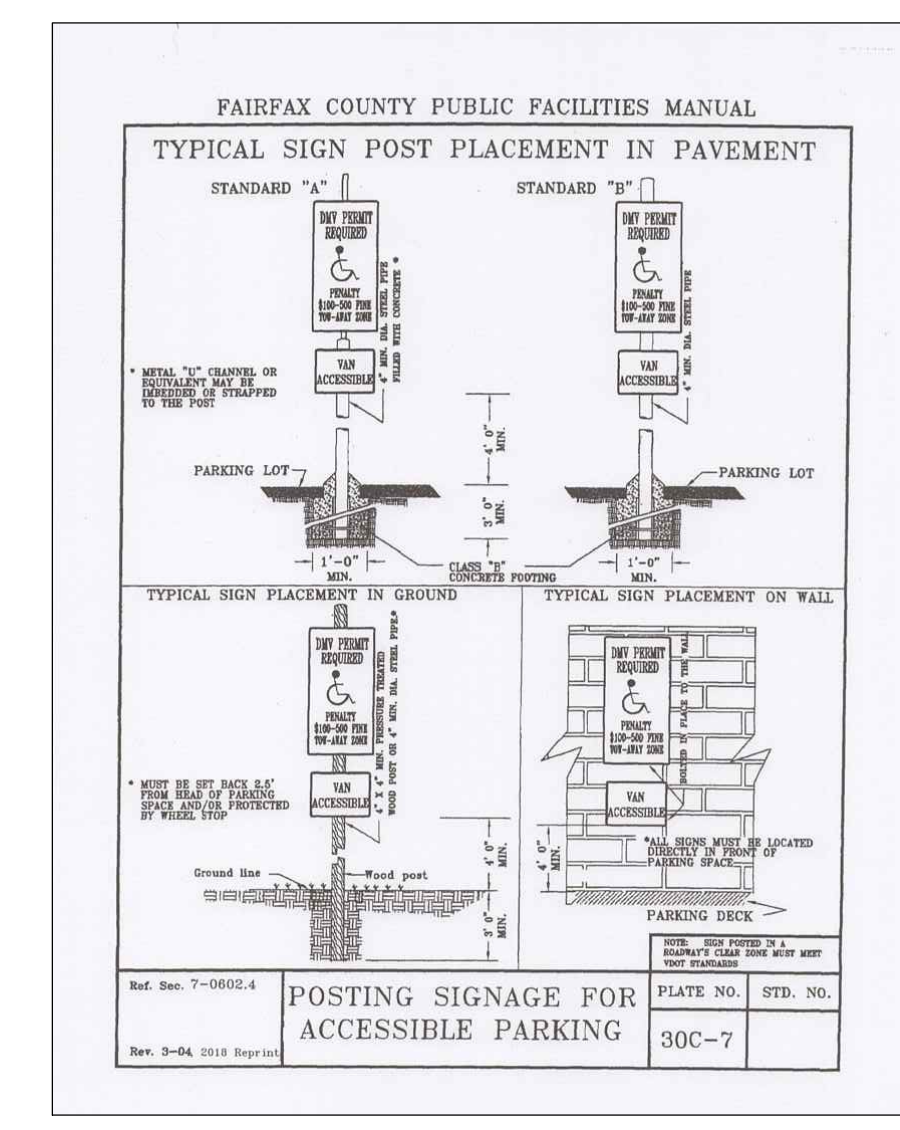
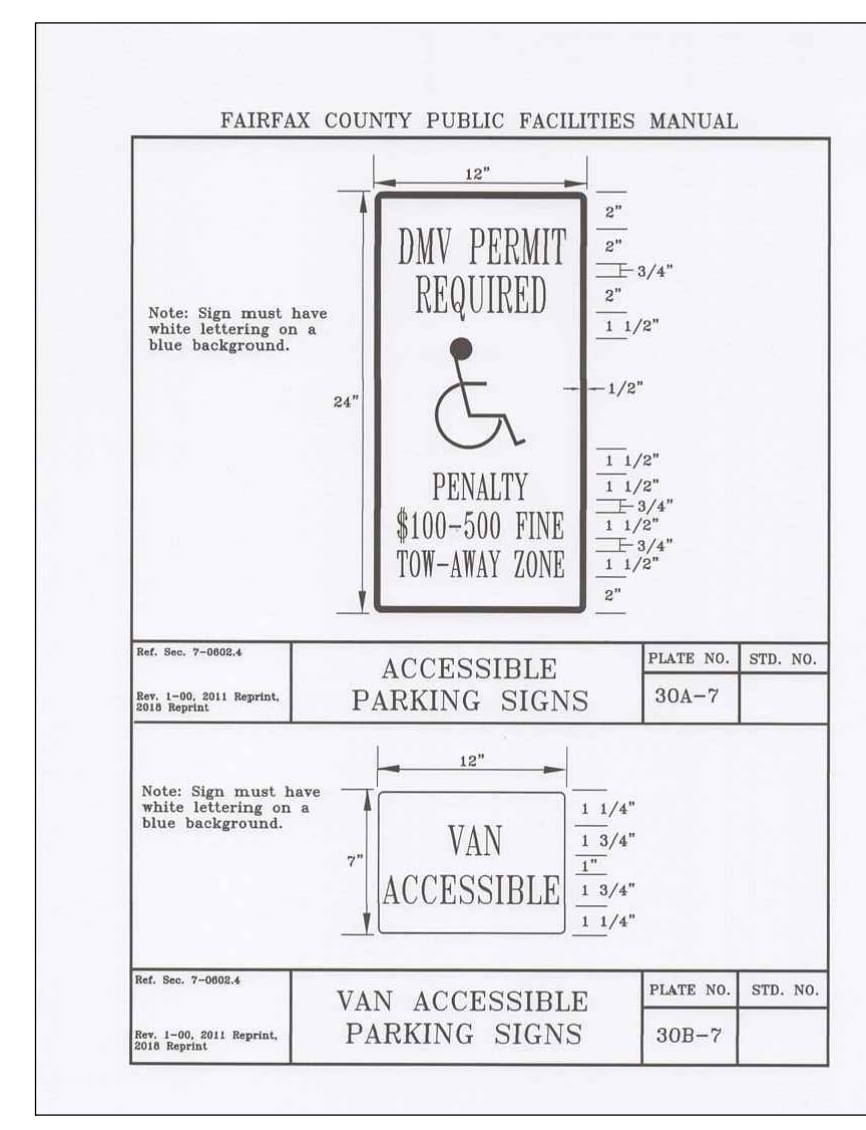


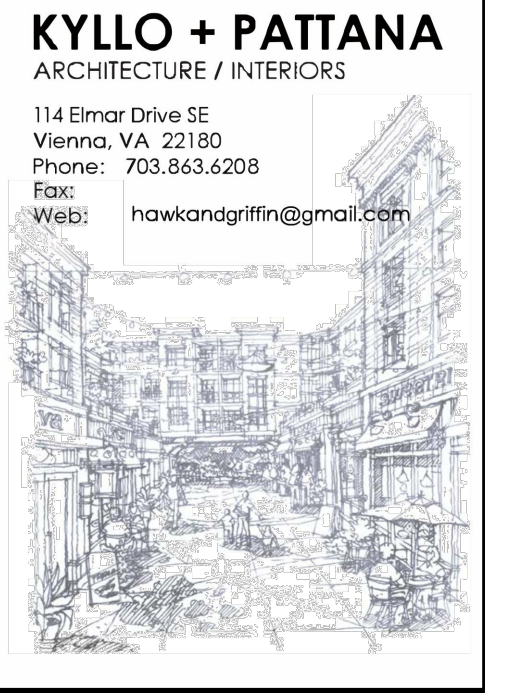
**HANDICAP CURB RAMP**  
SCALE: 1" = 5'



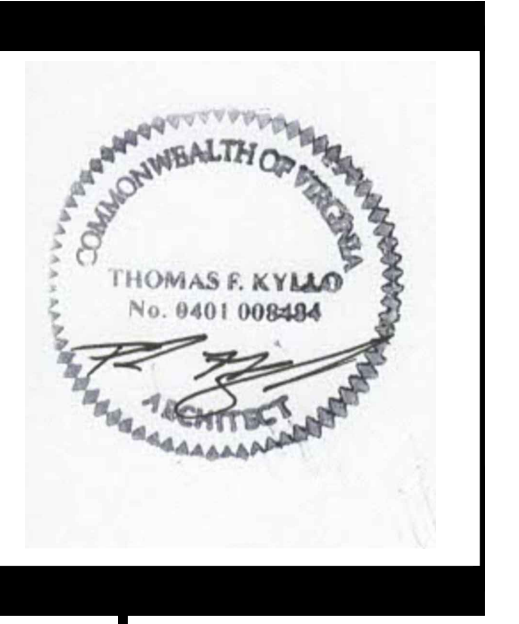
**VDOT CG-13 ENTRANCE**  
SCALE: 1" = 5'



**HANDICAP PARKING SIGNAGE**  
NOT TO SCALE



DATE: 9-22-2020  
 JOB NUMBER: 2020.01  
 SCALE: 1" = 20'  
 DRAWN BY: TK  
 CHECK BY:  
 REVISIONS:  
 10-7-2020



**LAYOUT PLAN**  
 HAWK & GRIFFIN PUBLIC HOUSE  
 435 MAPLE AVENUE WEST  
 ZONING PLAN  
 HUNTER MILL TOWN OF VIENNA TRANSPORT  
 TOWN OF VIENNA, VIRGINIA