

RUST | ORLING
ARCHITECTURE

1215 CAMERON STREET
ALEXANDRIA, VA
22314

T - 703.836.3205
F - 703.548.4779
admin@rustorling.com
www.rustorling.com

CADENCE AT PARK
VIENNA, VIRGINIA

20.014

REVISIONS

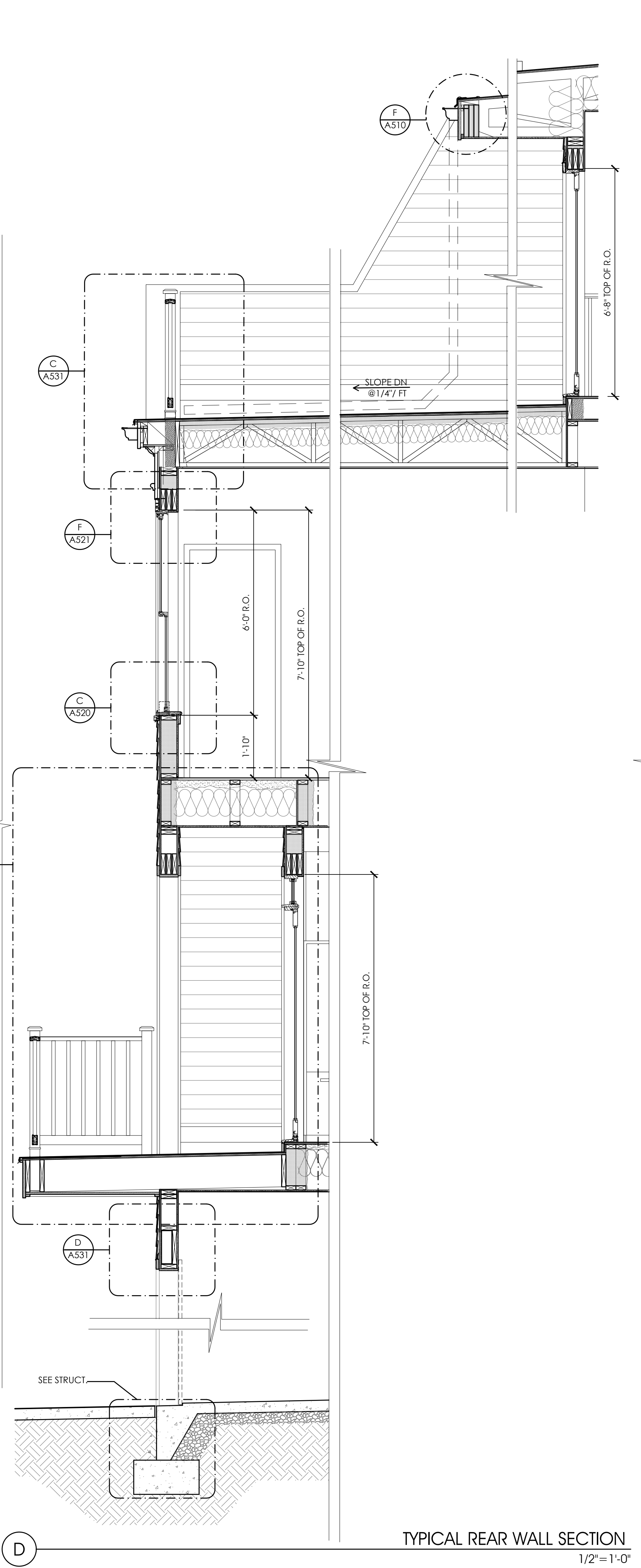
| DATE | DESCRIPTION |
|------|-------------|
| | |
| | |
| | |
| | |

FOR PERMIT
01.08.21

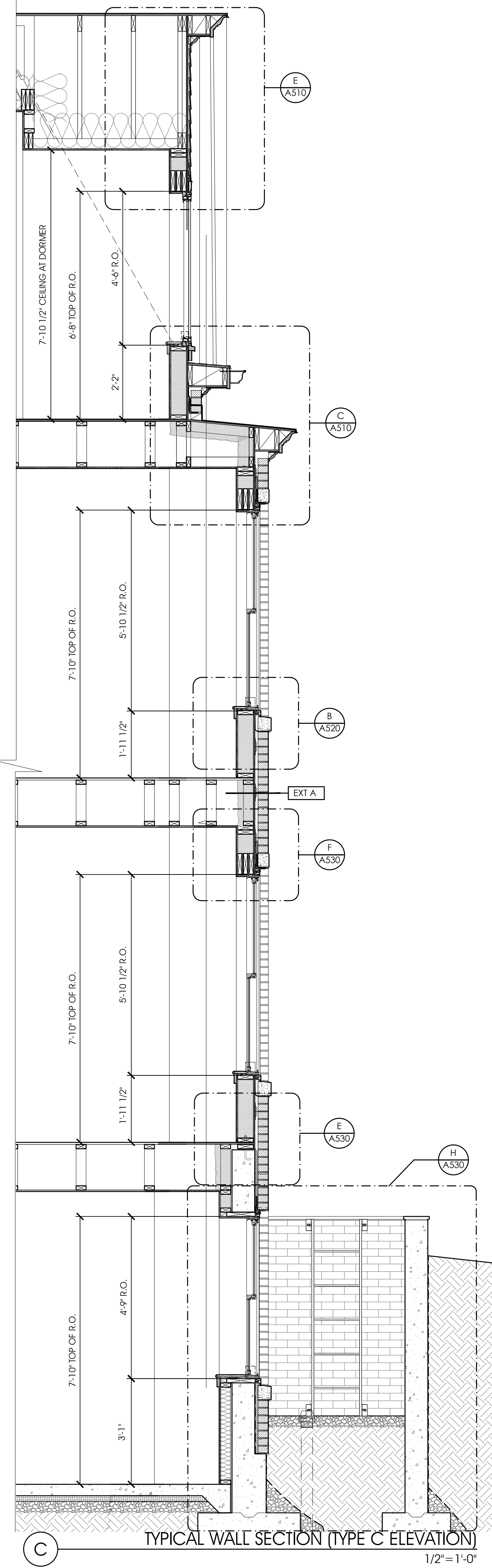
TYPICAL WALL
SECTIONS

SHEET NO.

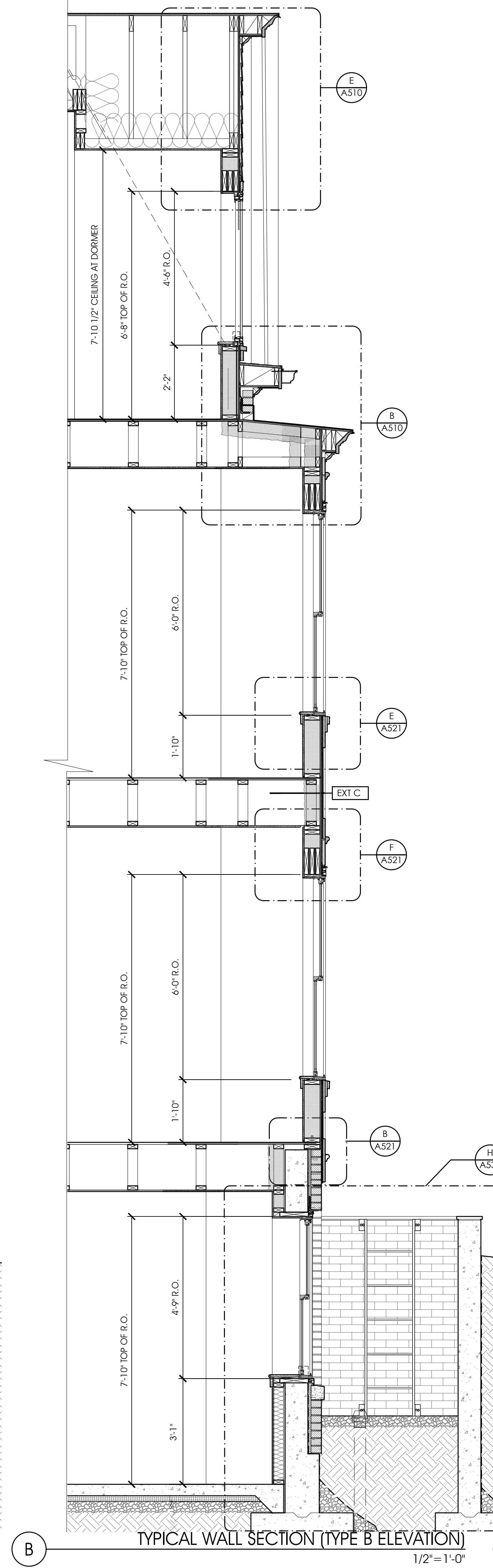
A420



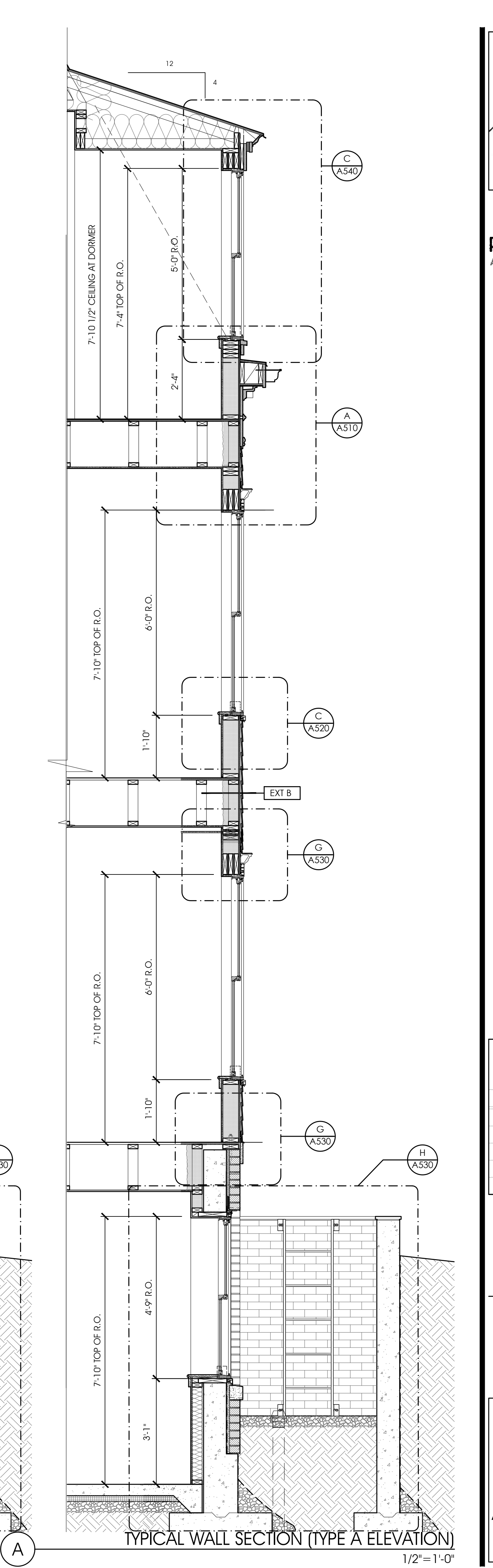
TYPICAL REAR WALL SECTION
1/2"=1'-0"



TYPICAL WALL SECTION (TYPE C ELEVATION)
1/2"=1'-0"



TYPICAL WALL SECTION (TYPE B ELEVATION)
1/2"=1'-0"



TYPICAL WALL SECTION (TYPE A ELEVATION)
1/2"=1'-0"

D:\TMALGO\BIM\BIM\DWG\2020\00014_A420_Typical Wall Sections.dwg / 1/16/2021 5:04:21 PM rustorling.com Copyright RUST ORLING Architecture