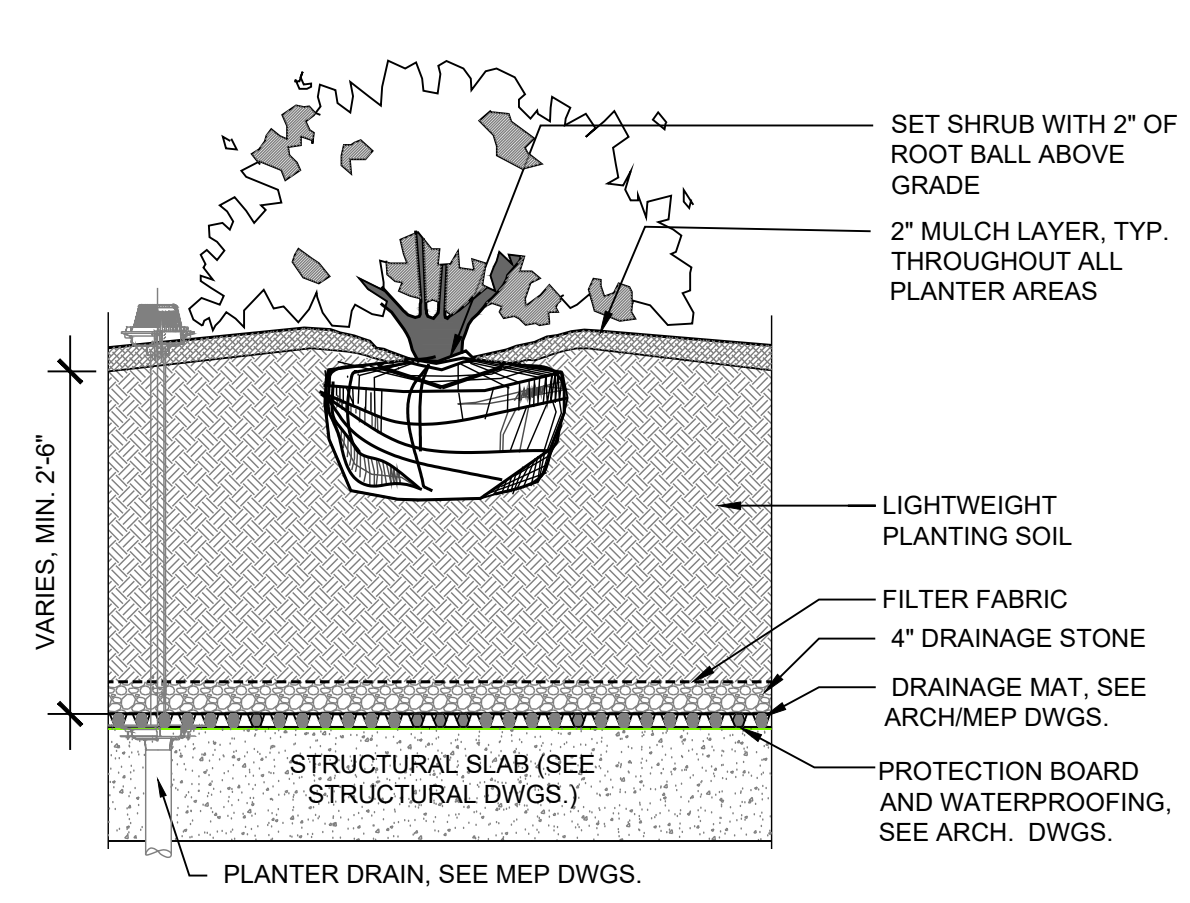


- NOTE:
1. REFER TO STRUCTURAL DWGS. FOR STRUCTURAL SLAB ELEVATIONS AND DETAILS / REINFORCEMENT
 2. REFER TO MEP DWGS. FOR PLANTER DRAIN LOCATIONS
 3. REFER TO ARCH. DWGS. FOR WATERPROOFING AND ROOF LAYERS
 4. WRAP AND OVERLAP FILTER FABRIC AROUND ALL PLANTER WALLS, KEEP 1\"/>
 - 5. DEADMEN TO BE PLACED PRIOR TO SOIL PLACEMENT (TYP.)

1 TREE PLANTING ON STRUCTURE

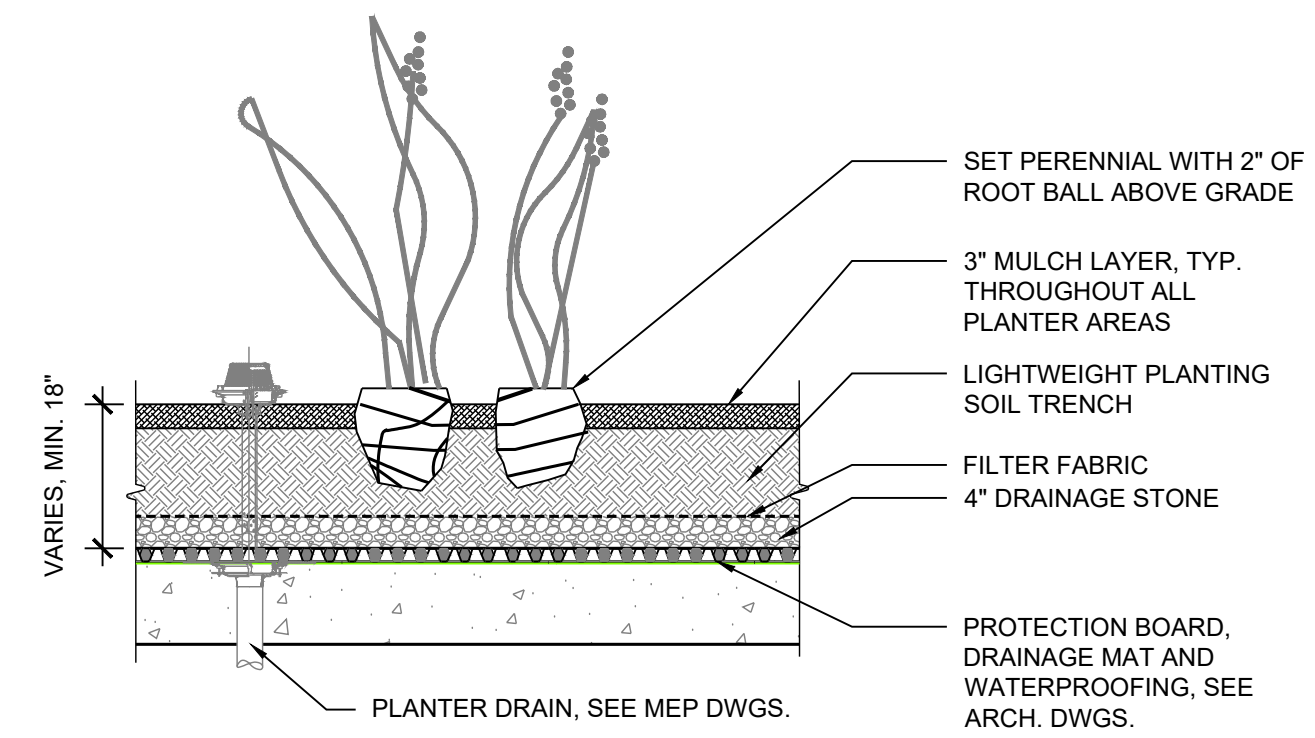
1/2"=1'-0"



- NOTE:
1. REFER TO STRUCTURAL DWGS. FOR STRUCTURAL SLAB ELEVATIONS AND DETAILS / REINFORCEMENT
 2. REFER TO MEP DWGS. FOR PLANTER DRAIN LOCATIONS
 3. REFER TO ARCH. DWGS. FOR WATERPROOFING LAYERS
 4. WRAP AND OVERLAP FILTER FABRIC AROUND ALL PLANTER WALLS, KEEP 1\"/>

2 SHRUB ON STRUCTURE

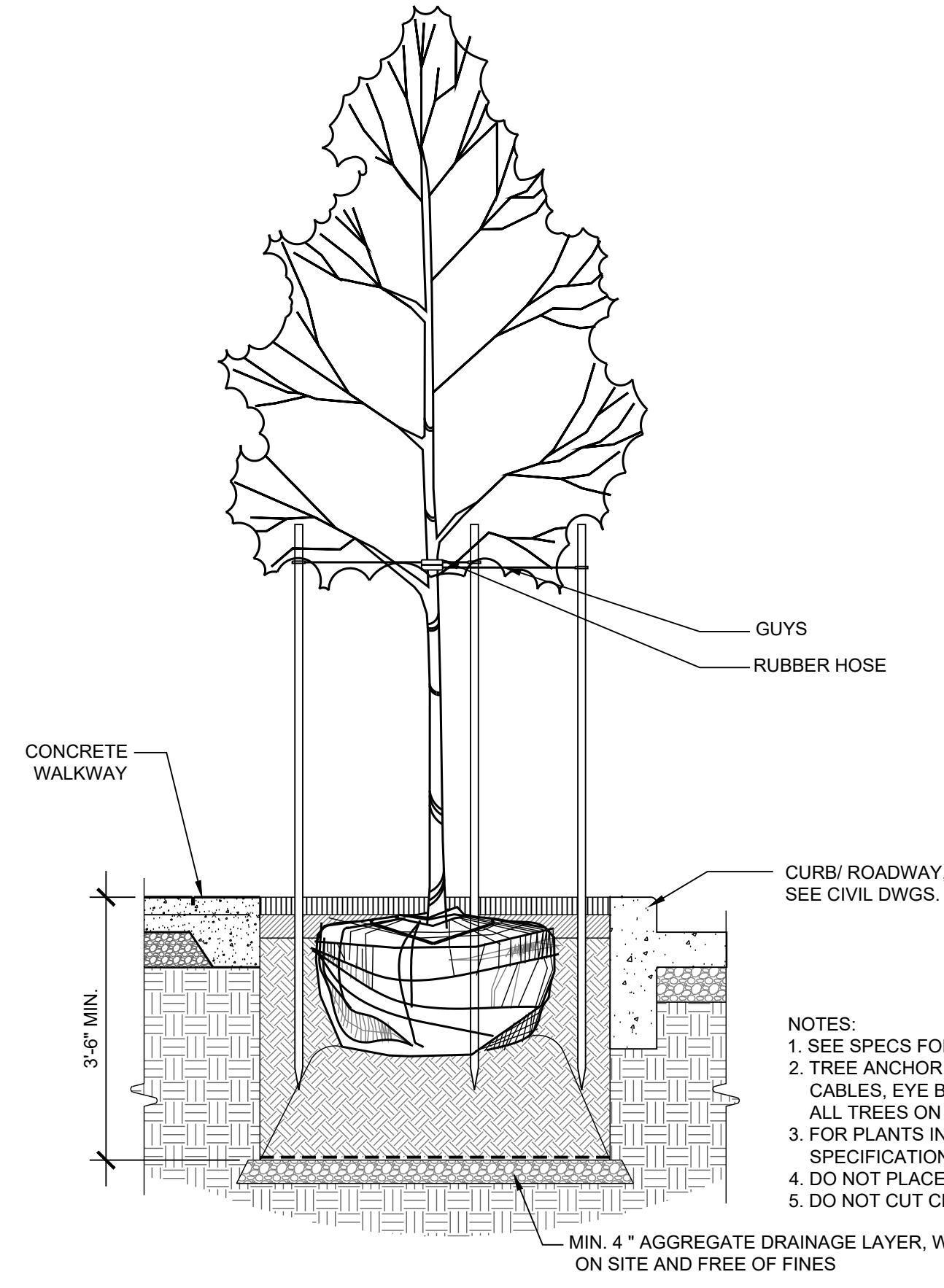
1/2"=1'-0"



- NOTE:
1. REFER TO STRUCTURAL DWGS. FOR STRUCTURAL SLAB ELEVATIONS AND DETAILS / REINFORCEMENT
 2. REFER TO MEP DWGS. FOR PLANTER DRAIN LOCATIONS
 3. REFER TO ARCH. DWGS. FOR WATERPROOFING LAYERS
 4. WRAP AND OVERLAP FILTER FABRIC AROUND ALL PLANTER WALLS, KEEP 1\"/>

3 PERENNIAL PLANTING ON STRUCTURE

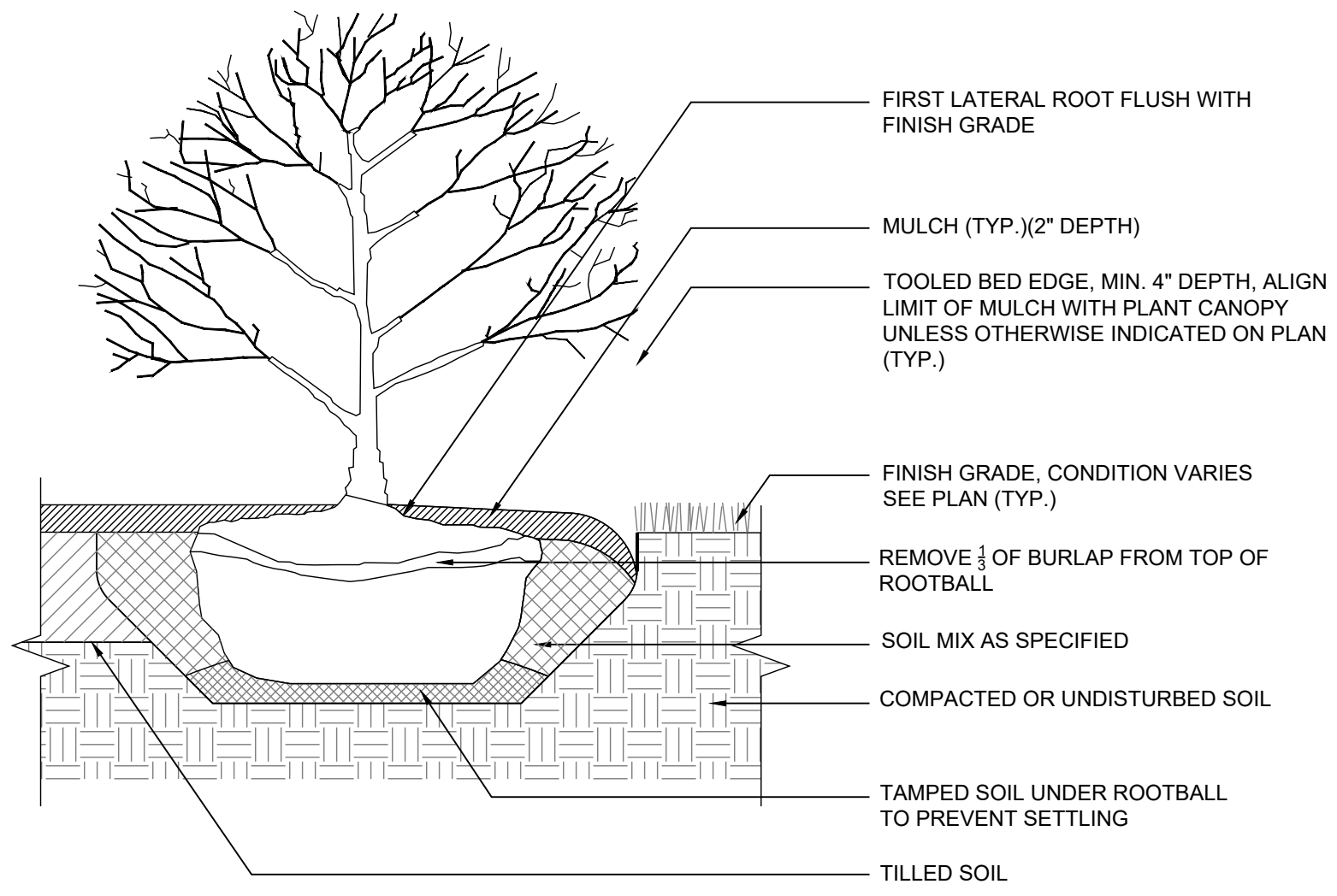
1/2"=1'-0"



- NOTES:
1. SEE SPECS FOR DETAILS ON ROOT ANCHORING SYSTEM.
 2. TREE ANCHORING SYSTEM AND ALL ASSOCIATED CABLES, EYE BOLTS, AND PIERS ARE TO BE USED FOR ALL TREES ON GRADE.
 3. FOR PLANTS IN WIRE BASKETS, REFER TO SPECIFICATIONS
 4. DO NOT PLACE MULCH AGAINST ROOT FLARE
 5. DO NOT CUT CENTRAL LEADER

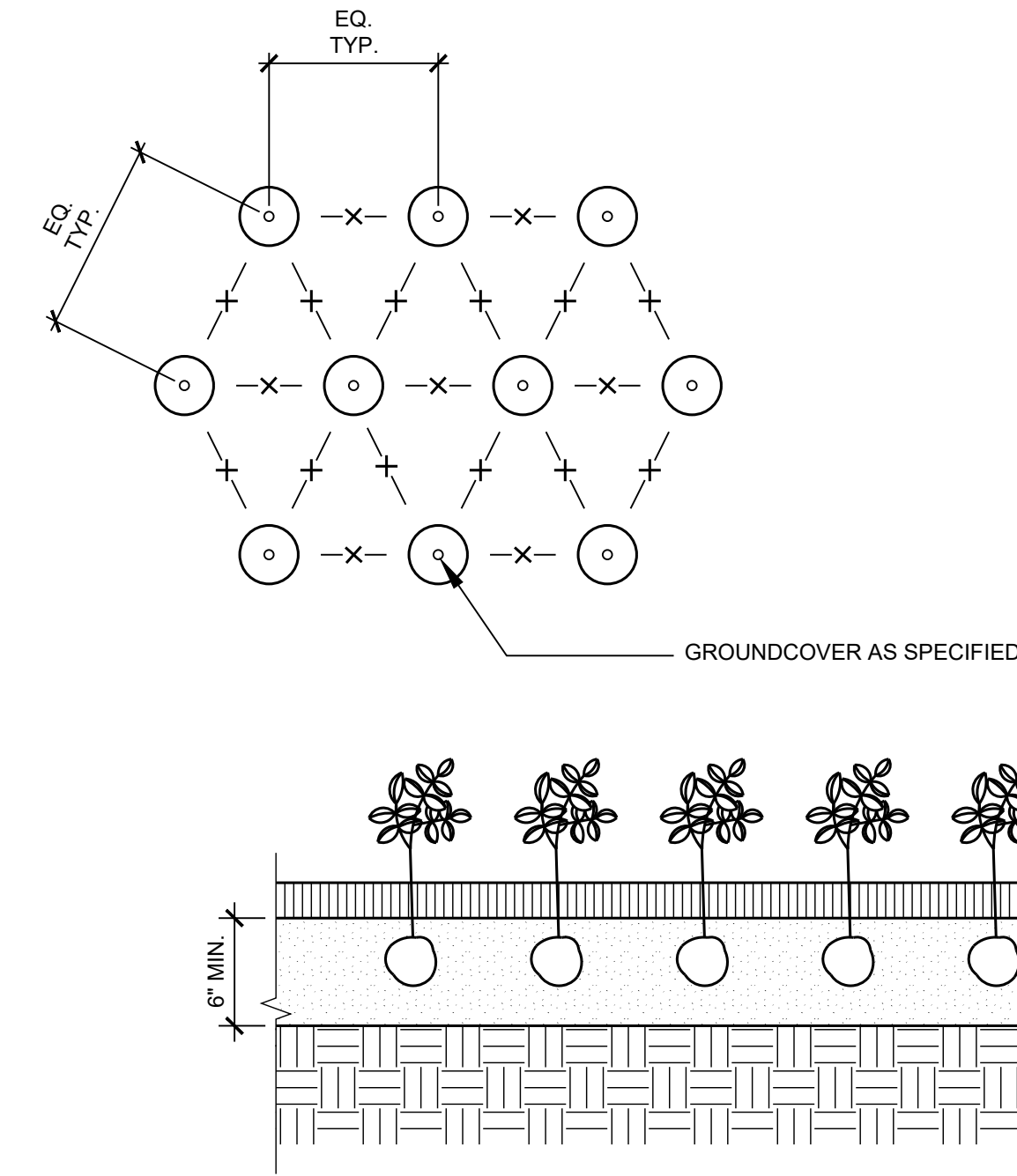
4 TREE PLANTING IN GRADE

1/2"=1'-0"



5 SHRUB AT GRADE

1/2"=1'-0"



- NOTE:
1. REFER TO PLANT LIST FOR SPACING

6 GROUNDCOVER AT GRADE

1/2"=1'-0"

Owner
 Hekemian & Co., Inc.
 505 Main Street, P.O. Box 667
 Hackensack, NJ, 07602
 1.201.487.1500

Architect
 KTG
 8609 Westwood Center Dr #600
 Tysons, VA 22182
 1.703.245.1090

Civil Engineer
 Walter L. Phillips
 207 PARK AVENUE
 Falls Church, VA 22046
 1.703.532.6163

SEAL

ISSUED FOR	DATE
1 Preliminary Application for MAC Zone Designation	12/06/17
2 Preliminary Application for MAC Zone Designation	02/15/18
3 Preliminary Application for MAC Zone Designation	04/11/18
4 Preliminary Application for MAC Zone Designation	04/11/18
5 Preliminary Application for MAC Zone Designation	06/25/18
6 Work Session	10/04/18
7 Preliminary Application for MAC Zone Designation	10/29/18
8 Preliminary Application for MAC Zone Designation	04/29/20

PROJECT NO. 17041 SCALE: As Shown

DRAWN BY: BB,RJ, BH REVIEWED BY: MR