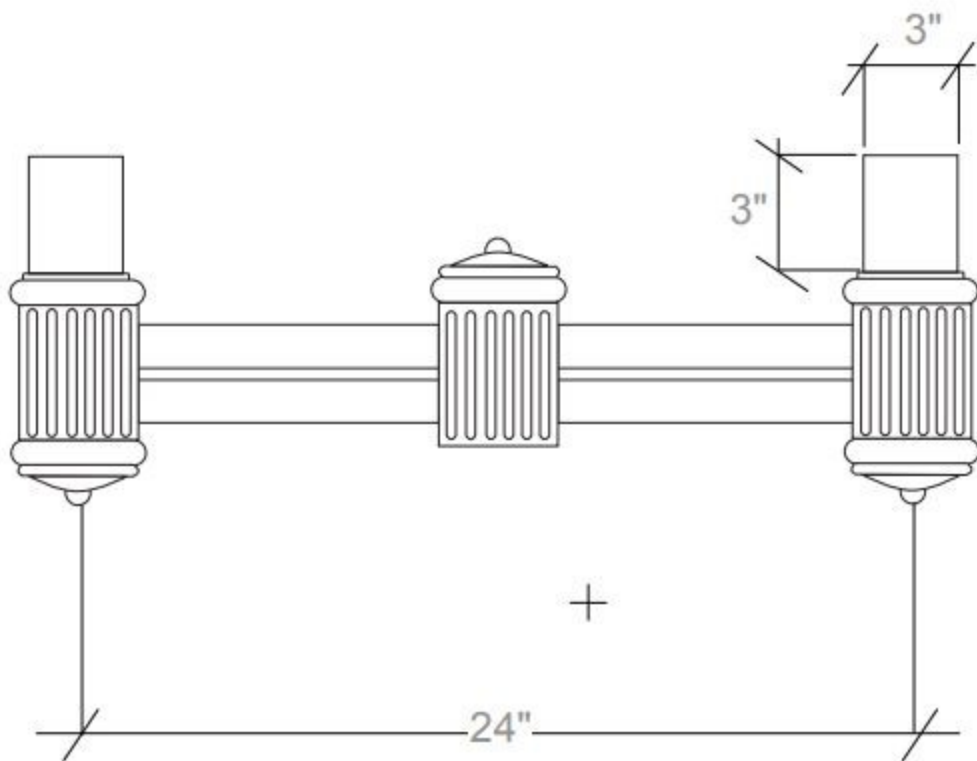


FIXTURE TYPE 'D'
DUAL ARM DECORATIVE BRACKET



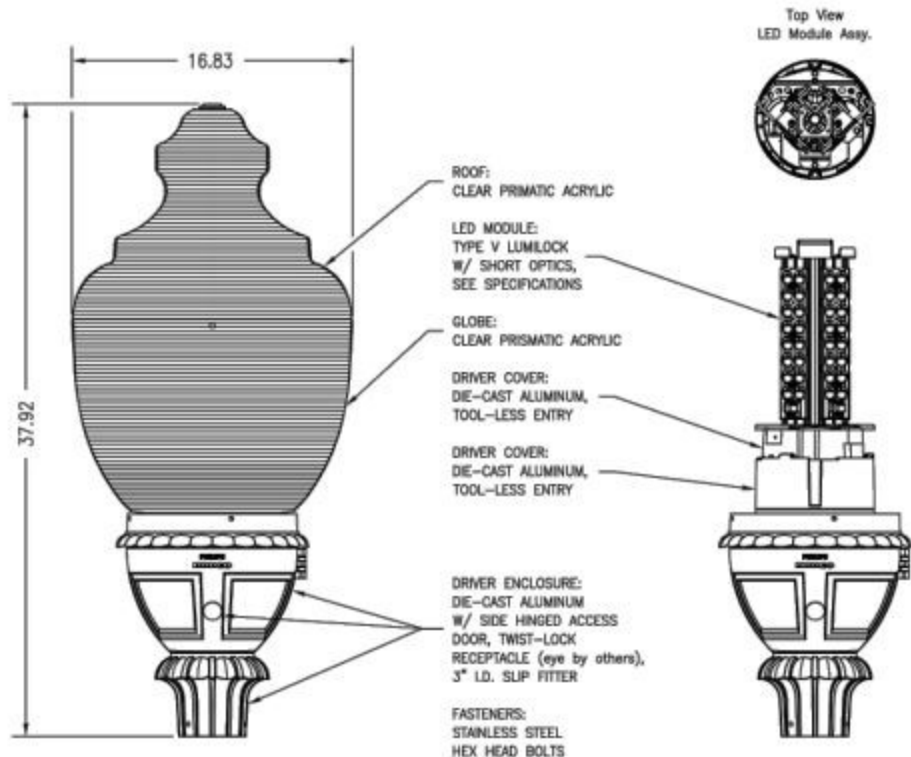
Color:
Black

Lumilock LED Specifications:

- 64, 4000K (neutral) LEDs, typical 75 Color Rendering Index (CRI), >100,000 hours of operational life (at 25°C ambient temperature & 70% lumen maintenance), injection molded Type V Short optical plates, IP68 rated optical system.
- Integral Philips Advance Xitanium LED driver, class 1, IP68 rated, 530mA, IntelliVolt 120-277 VAC, 50-60Hz, RoHS compliant, field replaceable 10kV/10kA surge suppression.
- Delivered lumens: 12174, Wattage: 104W.

Lumilock LED Certifications:

- ETL/cETL listed to U.S. & Canada safety standards for wet locations, manufactured to ISO 9001:2008 Standards, vibration tested to ANSI C136.31 for Normal Applications, UL8750 & UL1598 compliant, LM79 & LM80 tested, DLC listed.





ROUND FLUTED ALUMINUM (RFA)

POLE SHAFT

Round Fluted Aluminum, 6063-T6 Anneal Draw
Laminated base.

ANCHOR BOLTS

Anchor bolts are fabricated from commercial quality hot rolled carbon steel bar that meets or exceeds a minimum yield strength of 75,000 psi. Four properly sized anchor bolts, each with two regular hex nuts and washers, are furnished and shipped with all poles unless otherwise specified.

FINISH

Brushed - #3 exterior metal surfaces are mechanically cleaned to remove all oxides and contaminants prior to coating. The standard finish is a polyester thermosetting powder coating applied to the surface of the substrate to a minimum of 3 mils for all color finishes.

NOTES: [UNFINISHED] 4" GREEN - F 01.05.10.022



444 MAPLE AVE (PT1 POLE)					
RFA4001114-CT-3-WA17					
CATALOG LOGIC		CODE	DESCRIPTION		
Series:		RFA	Round Fluted Aluminum		
Base Diameter:		400	4.0" Shaft Diameter		
Thickness:		11	0.125" wall thickness		
Nominal Height:		14	14 feet tall		
Finish:		CT	Custom Finish		
Mounting Designation:		3	2.75" x 2.75" TIEON		
Base Style:		WA17	Washington 17" Round		
HEIGHT (ft.)	POLE SHAFT (In.) x (In.) x (In.)	THICKNESS	ANCHOR BOLT (In.) x (In.) x (In.)		BOLT CIRCLE (In.)
14	4.00 x 14.0	11	4.75 x 17 x 3		9
EPA	80 MPH (ft./y)	90 MPH (ft./y)	100 MPH (ft./y)	WEIGHT	SHIP WT. (lbs.)
	6.6	2.1	2.1		00

